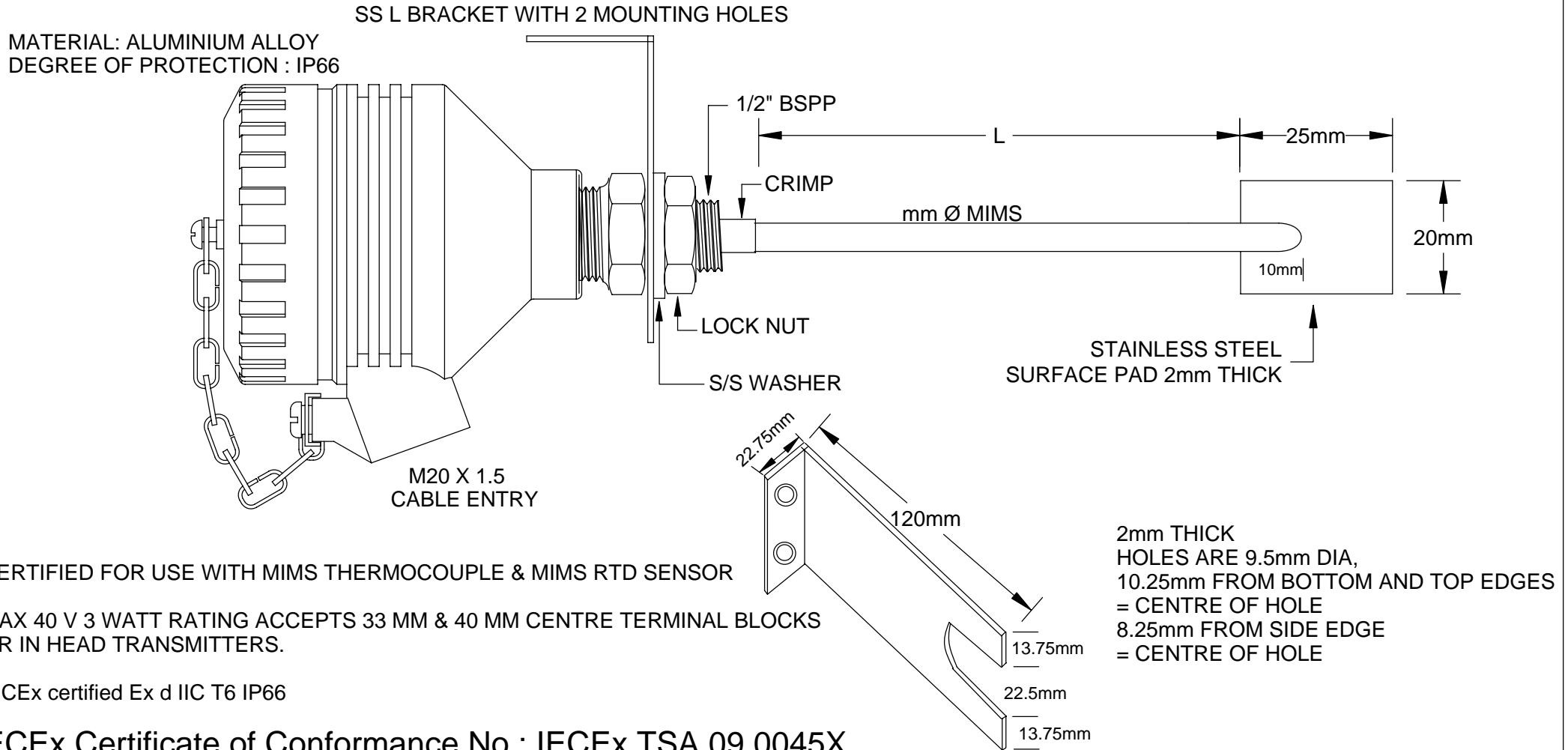


Ex e Increased Safety Certified Temperature Assembly Fixed Nipple Connection

MODEL No: TC20FIXTA



CERTIFIED FOR USE WITH MIMS THERMOCOUPLE & MIMS RTD SENSOR

MAX 40 V 3 WATT RATING ACCEPTS 33 MM & 40 MM CENTRE TERMINAL BLOCKS OR IN HEAD TRANSMITTERS.

IECEX certified Ex d IIC T6 IP66

IECEX Certificate of Conformance No : IECEX TSA 09.0045X
for complete assembly

MIMS SENSOR SURFACE MOUNT
IECEX CERTIFIED TERMINAL HEAD
SKIN TEMPERATURE SENSOR

TEMPERATURE CONTROLS PTY LTD Certificate No: QEC 14412 AS/NZS 9001:2000		
<p>CONDITIONS</p> <p>THIS DRAWING IS OUR EXCLUSIVE PROPERTY AND MUST NOT BE COPIED OR HANDED TO ANY OTHER PARTIES WITH OUT WRITTEN PERMISSION. IT SHALL BE RETURNED UPON REQUEST</p>		
<p>SYDNEY : 7 YAMMA ST SEFTON , NSW 2162 PHONE : (02) 9721 8644 FAX : (02) 9738 9339 MELBOURNE : 8 / 280 WHITEHALL ST YARRAVILLE VIC 3013 PHONE : (03) 9687 0000 FAX : (03) 9687 1900 EMAIL : sales@temperature.com.au</p>		
<p>TITLE</p> <p>Ex e ASSEMBLY</p>		
SIZE : A4	DATE : 18/12/09	DWG NO : SD 581
SCALE : NTS	DRAWING BY R.B	REV : 04