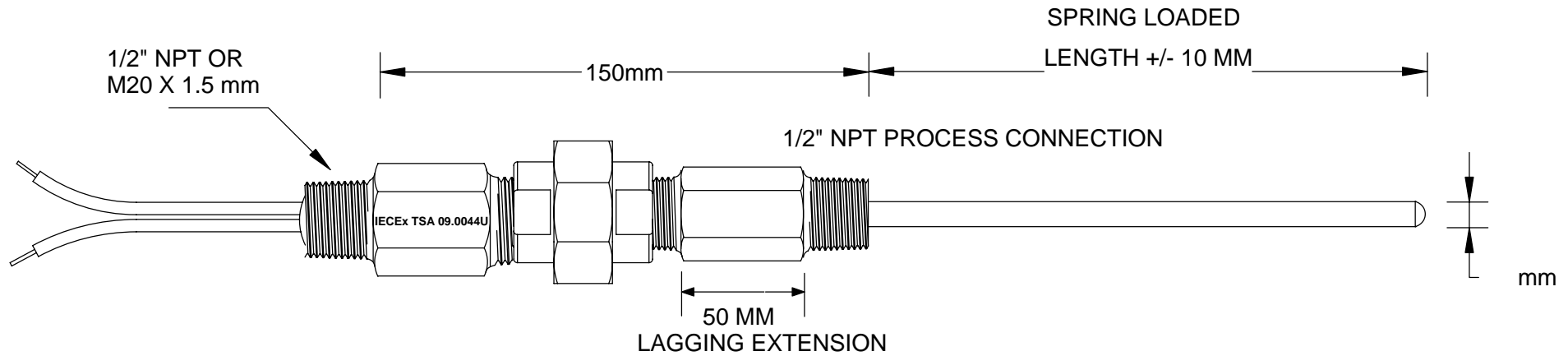


Ex de / Ex tD Certified Temperature Element Spring Loaded Nipple Connection

MODEL No: TCSPREX

Dual Certified Ex d Flameproof & Ex e Increased Safety



ASSEMBLY SHOWN WITH OPTIONAL 3 PIECE UNION AND LAGGING EXTENSION
 THESE ITEMS DO NOT NEED CERTIFICATION AS FLAMEPATH ENDS AT NIPPLE
 ATTACHED TO ENCLOSURE.

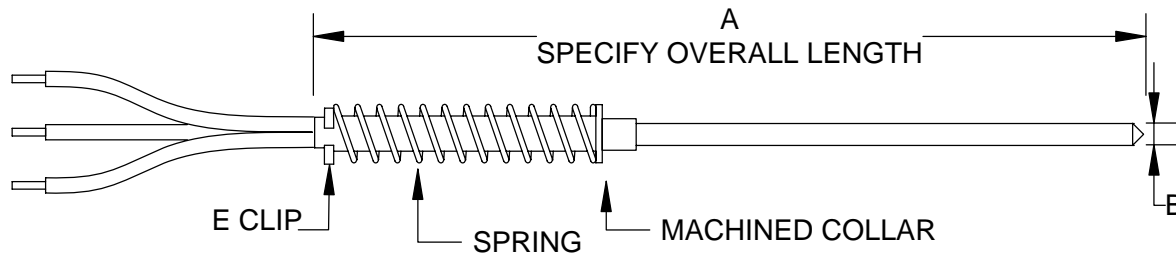
CERTIFIED FOR USE WITH MIMS THERMOCOUPLES AND MIMS RTD SENSORS

SUITABLE FOR USE WITH CERTIFIED Ex d / Ex e / Ex tD ENCLOSURE OR TRANSMITTER
 HOUSING WITH HAS 1/2" NPT OR M20 X 1.5 MM PROCESS CONNECTION

MUST BE USED WITH A THERMOWELL TO MAINTAIN IP RATING

IECEX CERTIFIED MIMS REPLACEMENT ELEMENT (ONLY TO BE FITTED INTO APPROVED ASSEMBLY)

FOR APPLICATIONS WHERE THE TEMPERATURE SENSOR IS TO BE USED IN
 T5 TO T1 TEMPERATURES A 50 MM LAGGING EXTENSION SHALL BE FITTED
 TO ENSURE THE ENCLOSURE REMAINS BELOW T6 TEMPERATURE RATING.



IECEX Dual certified Ex de IIC T6 IP66 or Ex tD A21 T6 IP66

IECEX Certificate of Conformance No : IECEX TSA 09.0044U
 as a component

TEMPERATURE CONTROLS PTY LTD

QUALITY ENDORSED COMPANY
 Certificate No: QEC 14412
 AS/NZS 9001:2008

CONDITIONS

THIS DRAWING IS OUR
 EXCLUSIVE PROPERTY
 AND MUST NOT BE
 COPIED OR HANDED
 TO ANY OTHER PARTIES
 WITH OUT WRITTEN
 PERMISSION. IT SHALL
 BE RETURNED UPON
 REQUEST

SYDNEY: 7 YAMMA ST SEFTON , NSW 2162
 PHONE: (02) 9721 8644 FAX : (02) 9738 9339
 MELBOURNE: 8/280 Whitehall St YARRAVILLE, VIC 3013
 PHONE: (03) 9687 0000 FAX : (03) 9687 1900
 BRISBANE: 28A/125 Kerry Road, Archerfield Qld 4108
 PHONE: 0418 222 868
 EMAIL: sales@temperature.com.au

TITLE
Ex de / Ex tD ELEMENT

SIZE : A4 Date: 11/12/13 **DWG NO : SD576E**

SCALE : NTS DRAWING BY R.B **REV : 03**