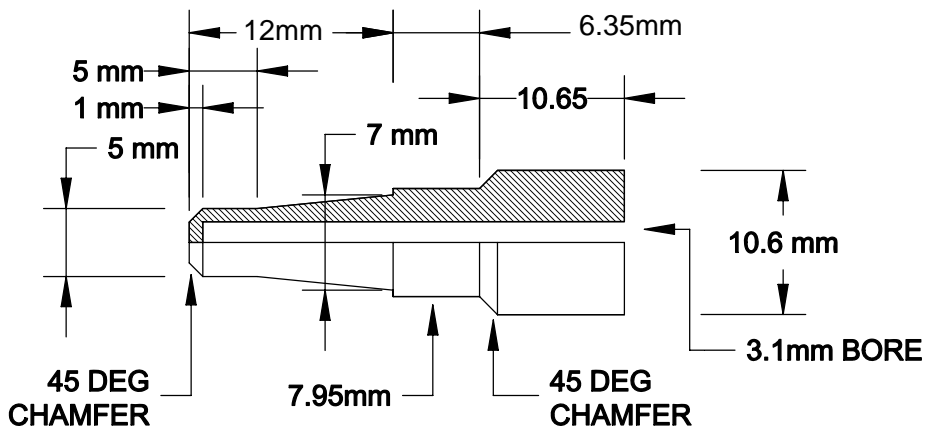


TIP DETAIL



NOTE :
MACHINE TOLERANCES TO BE WITH IN +/- 0.05mm

- TYPE K THERMOCOUPLE
- TYPE J THERMOCOUPLE

BARREL MOUNT ASSEMBLY - CONICAL TIP
1.5mm DIA INTERNAL MIMS THERMOCOUPLE
LOOSE BOLT ASSEMBLY

TEMPERATURE CONTROLS PTY LTD		QUALITY ENDORSED COMPANY Certificate No: QEC 14412 AS/NZS 9001:2008
<p>CONDITIONS</p> <p>THIS DRAWING IS OUR EXCLUSIVE PROPERTY AND MUST NOT BE COPIED OR HANDED TO ANY OTHER PARTIES WITH OUT WRITTEN PERMISSION. IT SHALL BE RETURNED UPON REQUEST</p>		SYDNEY: 7 YAMMA ST SEFTON , NSW 2162 PHONE: (02) 9721 8644 FAX : (02) 9738 9339 MELBOURNE: 8/280 Whitehall St YARRAVILLE, VIC 3013 PHONE: (03) 9687 0000 FAX : (03) 9687 1900 BRISBANE: 28A/125 Kerry Road, Archerfield Qld 4108 PHONE: (07) 3373 8424 FAX: (07) 3373 8067 EMAIL: sales@temperature.com.au
TITLE		
SIZE : A4	DATE : 31/07/14	DWG NO :SD 008
SCALE : NTS	DRAWING BY R.B	REV : 03