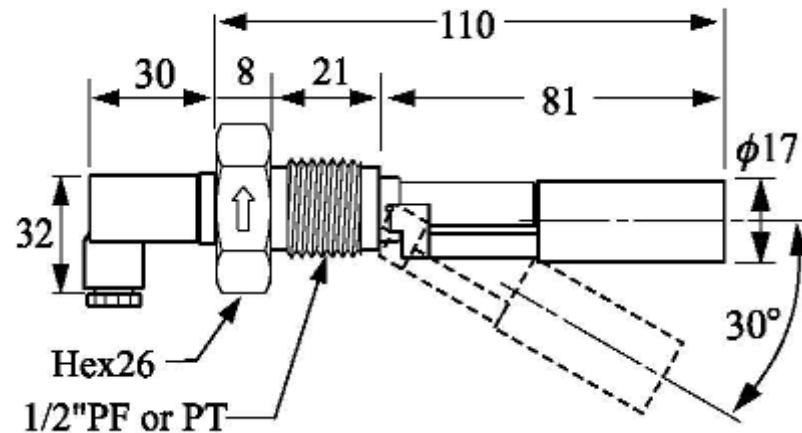
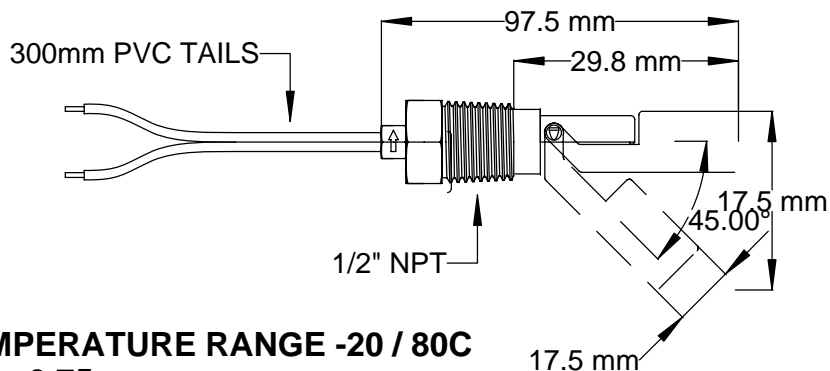


TEMPERATURE RANGE -10 / 120C
 SG = 0.8
 316 S/S
 MODEL TCFDMH16



TEMPERATURE RANGE -10 / 120C
 SG = 0.8
 316 S/S
 MODEL TCFDMH16C



TEMPERATURE RANGE -20 / 80C
 SG = 0.75
 POLYPROPYLENE
 MODEL TCFCH31PDD

OPTION FOR
 - MODEL TCFDMH16
 - MODEL TCFDMH16C

316 S/S LOCK NUT
 1/2" BSP
 #TCLN12SB
 COPPER WASHER
 #TCCW2857206209



S/S Locknut

OPTION
 316 S/S TANK SOCKET
 HALF TANK SOCKET 15MM WIDE
 #TCTSH12SB
 1/2" BSP



TANK SOCKET

LEVEL SWITCHES

TEMPERATURE CONTROLS PTY LTD		Certificate No: QEC 14412 AS/NZS 9001:2000	
CONDITIONS THIS DRAWING IS OUR EXCLUSIVE PROPERTY AND MUST NOT BE COPIED OR HANDED TO ANY OTHER PARTIES WITH OUT WRITTEN PERMISSION. IT SHALL BE RETURNED UPON REQUEST	SYDNEY : 7 YAMMA ST SEFTON , NSW 2162 PHONE : (02) 9721 8644 FAX : (02) 9738 9339 MELBOURNE : 412 MORELAND ROAD BRUNSWICK WEST VIC 3055 PHONE : (03) 9384 0444 FAX : (03) 9384 0204 EMAIL : sales@temperature.com.au		
	TITLE		
	LITERATURE NO. 1163/C		
	SIZE : A4	DATE : 21/11/12	
SCALE : NTS	DRAWING BY R.B	REV : 02	