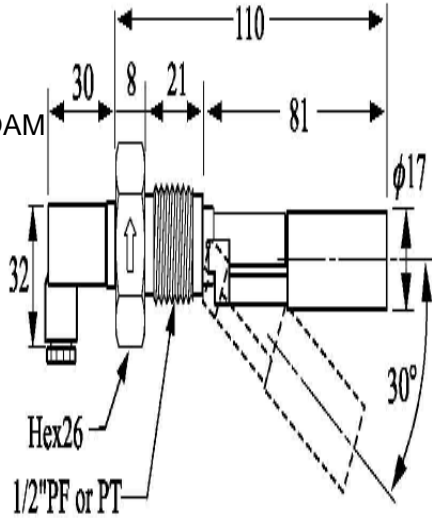
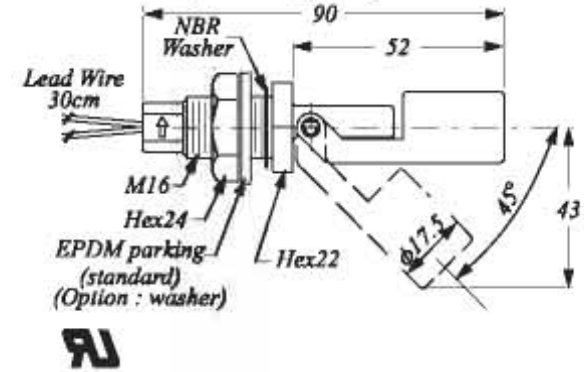


POLYPROPYLENE / FOAM
 TEMPERATURE
 RANGE: -20 / 80C
 SG 0.8
 MODEL TCFCV21QDD



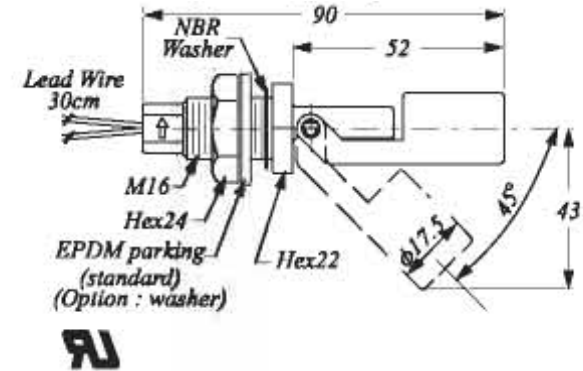
PVDF / WHITE
 TEMPERATURE
 RANGE -20 to 120C
 SG = 0.85
 MODEL TCFCH23FDD



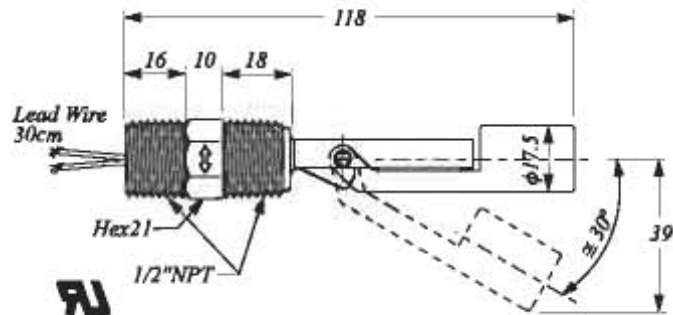
LEVEL - CONTACT RATED AT 32V AC / DC @ 500mA RESISTIVE LOAD SWITCHES

POLYPROPYLENE / BLACK
 TEMPERATURE
 RANGE -20 to 80C
 SG = 0.65
 MODEL TCFCH51PDD

POLYPROPYLENE / BLACK
 TEMPERATURE
 RANGE -20 to 80C
 SG = 0.75
 MODEL TCFCH21PDD



FC H51P



TEMPERATURE CONTROLS PTY LTD

QUALITY ENDORSED COMPANY
 Certificate No: QEC 14412
 AS/NZS 9001:2008

CONDITIONS

THIS DRAWING IS OUR EXCLUSIVE PROPERTY AND MUST NOT BE COPIED OR HANDED TO ANY OTHER PARTIES WITH OUT WRITTEN PERMISSION. IT SHALL BE RETURNED UPON REQUEST

SYDNEY : PHONE: (02) 9721 8644 FAX: (02) 9738 9339
 MELBOURNE: PHONE: (03) 9687 0000 FAX: (03) 9687 1900
 BRISBANE: PHONE: 0418 222 868 FAX: (07) 3821 3693

EMAIL: shop@temperature.com.au

LITERATURE 1163B

SCALE : NTS | A4 DRAWING BY R.B | REV : 00