

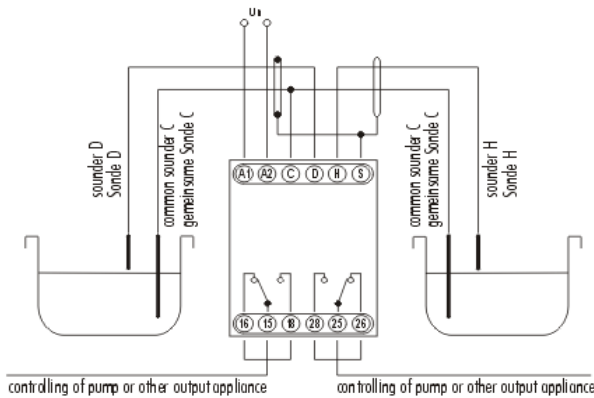
CONDUCTIVITY LEVEL

ONE VESSEL 2 OUTPUT RELAY CONTROL OR 2 VESSEL WITH INDIVIDUAL RELAY OUTPUT

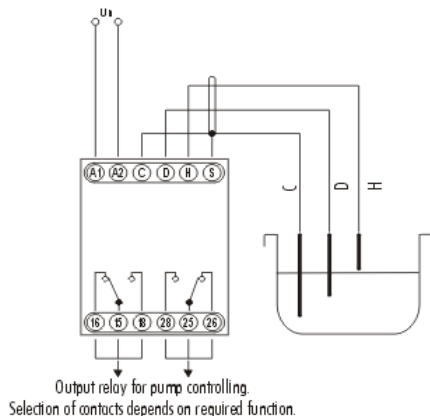
Model TCHRH1



HRH-1 monitoring 2 independent containers



HRH-1 monitoring level with combination of upper and bottom sounder



Output relay for pump controlling.
Selection of contacts depends on required function.

Function:	4
Supply terminals:	A1 - A2
Supply voltage:	AC 230 V or AC/DC 24 V, galvanically separated
Consumption:	max. 4.5 VA
Measuring circuit	
Hysteresis:	adjustable 5 kΩ - 100 kΩ
Voltage on electrode:	AC 5 V
Current via sounders:	AC <1 mA
Time reaction:	max. 400 ms
Max. cable capacity:	4 nF
Length of supply wire on probes:	max. 100 m
Time delay tD:	adjustable 0.5 - 10 s
Time delay tH:	adjustable 0.5 - 10 s
Accuracy	
Setting accuracy (mech):	+/- 5%
Output	
Number of contacts:	2x changeover, AgNi
Rated current:	16 A / AC1
Breaking capacity:	4000 VA / AC1, 384 W / DC
Inrush current:	30 A / <3 s
Switching voltage:	250 V AC1 / 24 V DC
Min. breaking capacity DC:	500 mW
Mechanical life:	3x10 ⁷
Electrical life:	0.7x10 ⁵
Operating temperature:	-20 .. +55 °C
Storage temperature:	-30 .. +70 °C
Electrical strength:	2.5 kV (input - output)
Operating position:	any / wahlfrei
Mounting:	DIN rail EN 60715
Protection:	IP 40
Overvoltage category:	III.
Pollution degree:	2
Max. cable size:	2.5 mm ²
Dimensions:	90 x 52 x 65 mm
Weight:	250 g
Standards:	EN 60255-6, EN 61010-1

Email for additional information and pricing.

Temperature Controls Pty Ltd

Sydney: 7 Yamma St Sefton NSW 2162 Ph: (02) 9721 8644 Fx (02) 9738 9339

Melbourne: 8/280 Whitehall St Yarraville VIC 3013 Ph: (03) 9687 0000 Fx: (03) 9687 1900

Web : www.temperature.com.au Email: sales@temperature.com.au

Due to ongoing product development, specification and price may change without notice. Prices do not include GST