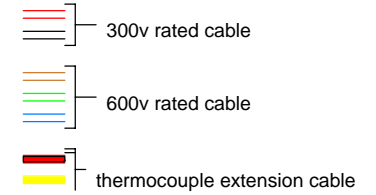
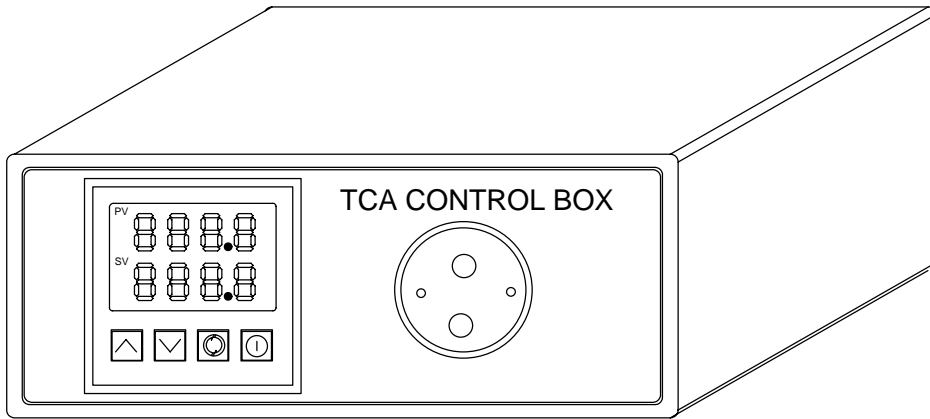


BCS2S0000

SHINKO BCS2S0000 CONTROLLER 110 TO 240V

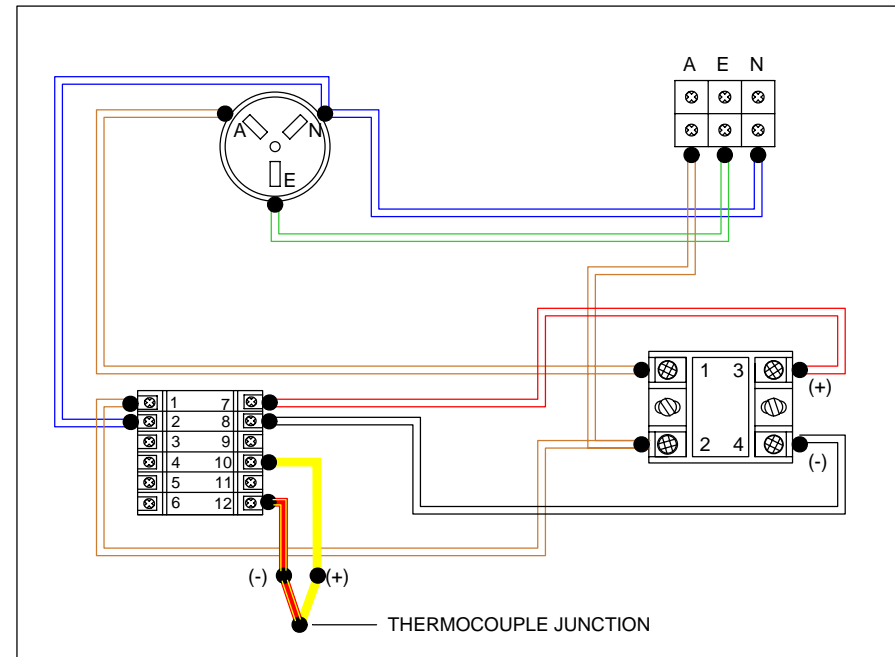
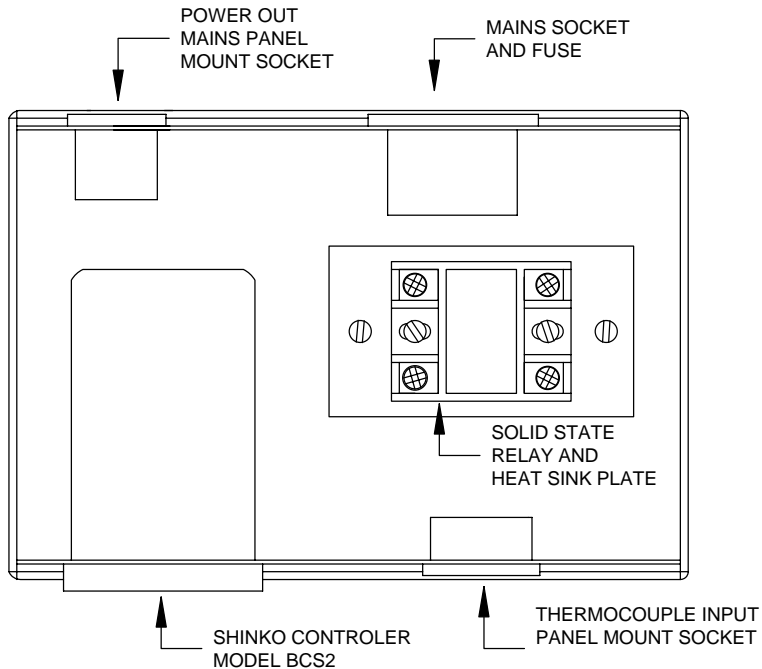
MULTI INPUT TYPE K, J, T, N, R, S & B



BOX COMPONENTS

- PVC DESK TOP BOX (HB-5910) 260mm x 190 x 80mm
- SOLID STATE RELAY WITH HEAT SINK - 25AMP
- THERMOCOUPLE INPUT K, J, T, N, R, S & B
- OPTION - RTD INPUT
- FUSED POWER SWITCH (PP-4003)
- MAINS POWER LEAD(PS-4106)
- MAINS POWER PANEL MOUNT SOCKET (PS-4094)
- RUBBER FEET (HP-0801)

NOTE- MAXIMUM LOAD CAPACITY 10AMP



CONDITIONS

THIS DRAWING IS OUR EXCLUSIVE PROPERTY AND MUST NOT BE COPIED OR HANDED TO ANY OTHER PARTIES WITHOUT WRITTEN PERMISSION. IT SHALL BE RETURNED UPON REQUEST

SYDNEY: 7 YAMMA ST SEFTON , NSW 2162
 PHONE: (02) 9721 8644 FAX : (02) 9738 9339
 MELBOURNE: 8/280 Whitehall St YARRAVILLE, VIC 3013
 PHONE: (03) 9687 0000 FAX : (03) 9687 1900
 BRISBANE: 28A/125 Kerry Road, Archerfield Qld 4108
 PHONE: (07) 3373 8424 FAX: (07) 3373 8067
 EMAIL: sales@temperature.com.au

TEMPERATURE CONTROLS PTY LTD

TITLE

SIZE : A4

DATE : 25/02/16

DWG NO :SD 6924

SCALE : NTS

DRAWING BY R.B

REV : 02