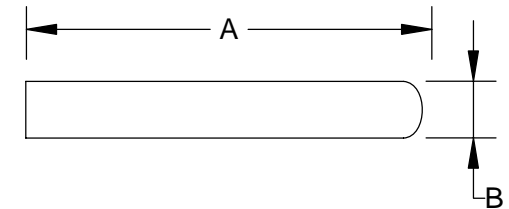


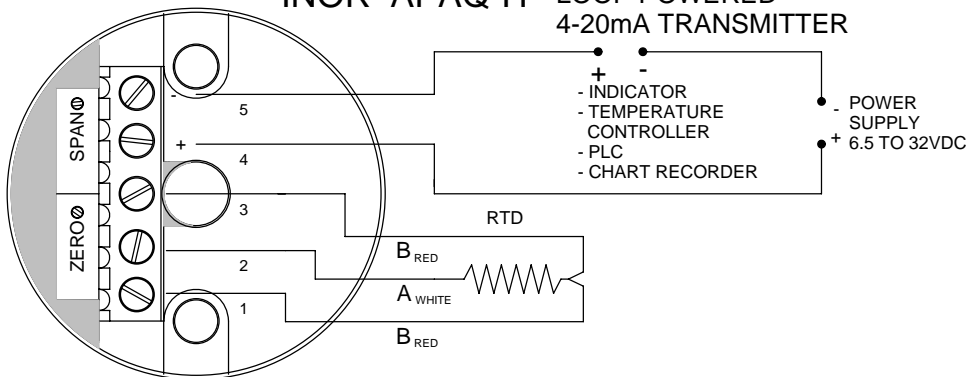
**OPTION: Protective stainless steel sheath**



65mm deep

RTD PT100 AND TRANSMITTER  
 CLASS A 3 WIRE  
 INDUSTRIAL AIR SENSOR  
 PART NO. TC11PIND (IP66)  
 POLYCARBONATE CASE RATED TO 125°C

**INOR APAQ-H LOOP POWERED 4-20mA TRANSMITTER**



**TEMPERATURE CONTROLS PTY LTD**

Certificate No: QEC 14412  
 ISO 9001:2008

**CONDITIONS**

THIS DRAWING IS OUR EXCLUSIVE PROPERTY AND MUST NOT BE COPIED OR HANDED TO ANY OTHER PARTIES WITH OUT WRITTEN PERMISSION. IT SHALL BE RETURNED UPON REQUEST

SYDNEY : 7 YAMMA ST SEFTON , NSW 2162  
 PHONE : (02) 9721 8644 FAX : (02) 9738 9339  
 MELBOURNE : 8/280 Whitehall St  
 YARRAVILLE VIC 3013  
 PHONE : (03) 9687 0000 FAX : (03) 9687 1900  
 EMAIL : sales@temperature.com.au



TITLE

SIZE : A4	DATE : 01/12/11	<b>DWG NO :SD 887</b>
SCALE : NTS	DRAWING BY R.B	<b>REV : 00</b>