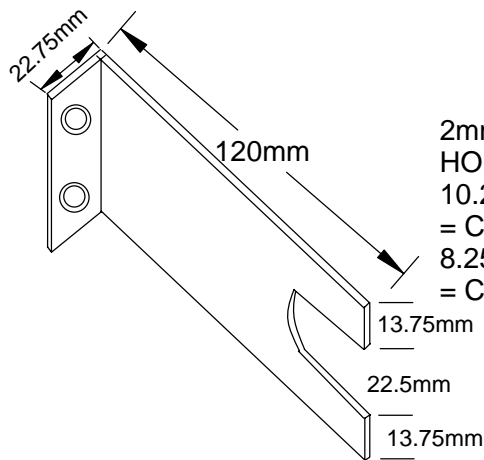
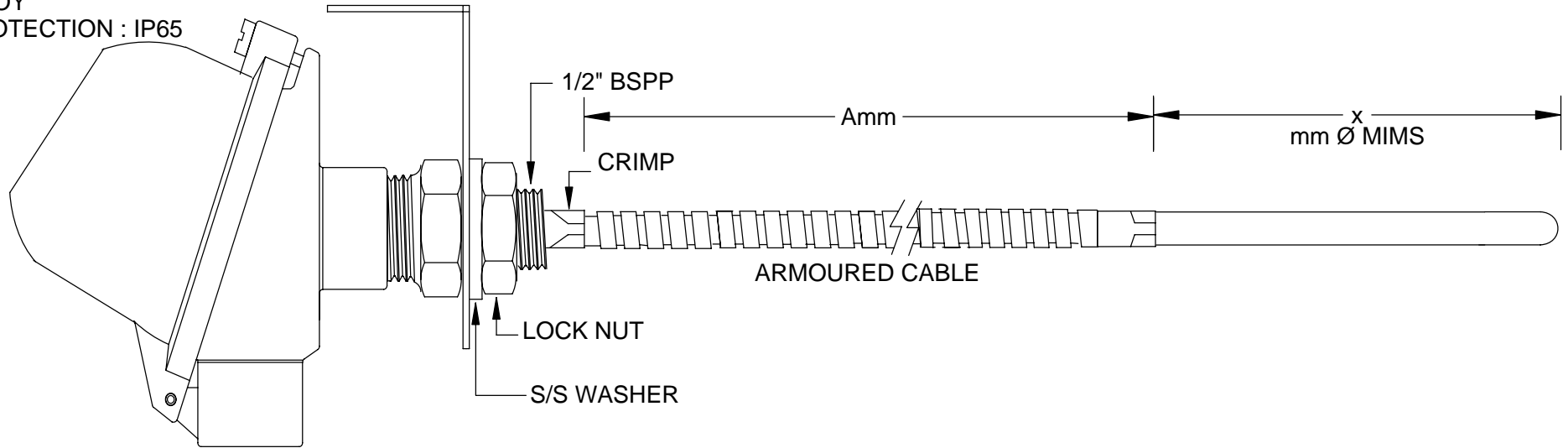


MATERIAL:
ALUMINIUM ALLOY
DEGREE OF PROTECTION : IP65

SS L BRACKET WITH 2 MOUNTING HOLES



CABLE ENTRY M20
2mm THICK
HOLES ARE 9.5mm DIA,
10.25mm FROM BOTTOM AND TOP EDGES
= CENTRE OF HOLE
8.25mm FROM SIDE EDGE
= CENTRE OF HOLE

- OPTION - Ex ia
Compliance with ANSI AS/NZS 60079. 11.2006 Explosive Atmospheres, Intrinsic safety Ex ia (1047 RTD & TC)
- TYPE K THERMOCOUPLE
- TYPE J THERMOCOUPLE
- TYPE T THERMOCOUPLE
- TYPE N THERMOCOUPLE
- 3 WIRE RTD PT100
- 4 WIRE RTD PT100

IECEX certified Ex ia IIC T6 IP65

TEMPERATURE CONTROLS PTY LTD Certificate No: QEC 14412 AS/NZS 9001:2000		
<p>CONDITIONS</p> <p>THIS DRAWING IS OUR EXCLUSIVE PROPERTY AND MUST NOT BE COPIED OR HANDED TO ANY OTHER PARTIES WITH OUT WRITTEN PERMISSION. IT SHALL BE RETURNED UPON REQUEST</p>		
<p>SYDNEY : 7 YAMMA ST SEFTON , NSW 2162 PHONE : (02) 9721 8644 FAX : (02) 9738 9339 MELBOURNE : 8 / 280 WHITEHALL ST YARRAVILLE VIC 3013 PHONE : (03) 9687 0000 FAX : (03) 9687 1900 EMAIL : sales@temperature.com.au</p>		
<p>TITLE</p>		
SIZE : A4	DATE : 20/04/11	DWG NO : SD 854
SCALE : NTS	DRAWING BY R.B	REV : 02