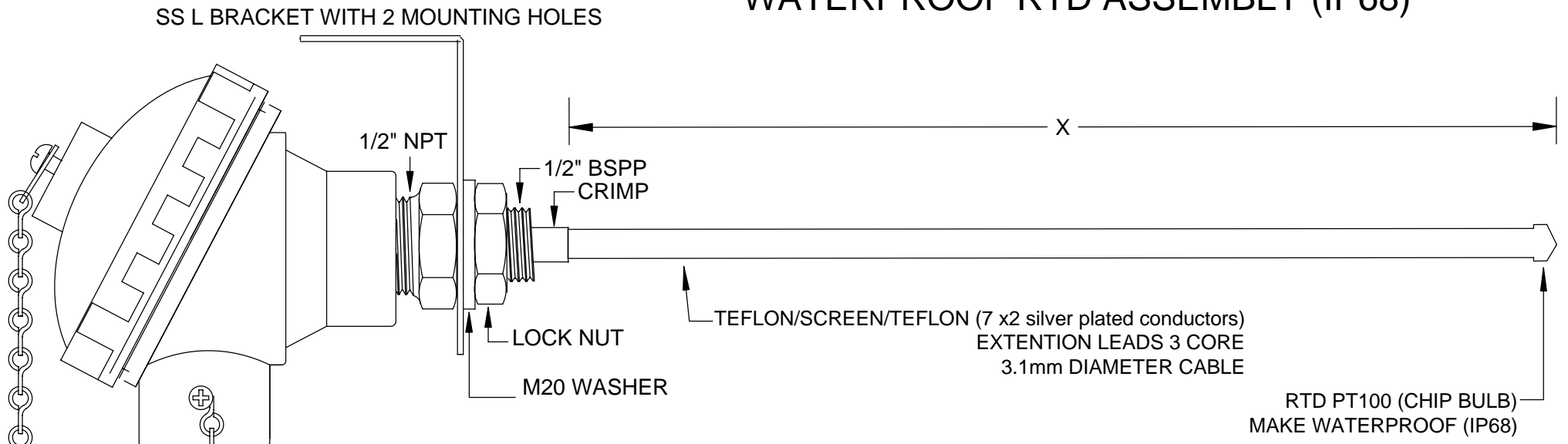
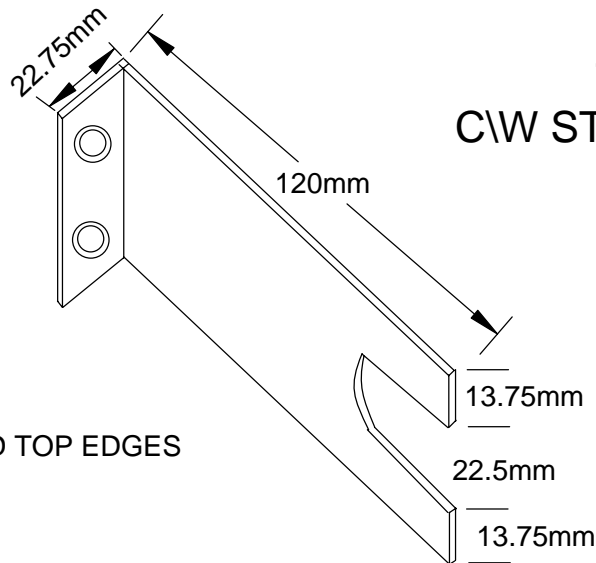


WATERPROOF RTD ASSEMBLY (IP68)



LARGE ALUMINIUM TERMINAL HEAD IP65 CW STAINLESS STEEL L BRACKET

- TYPE K THERMOCOUPLE
- TYPE T THERMOCOUPLE
- RTD PT100



2mm THICK
HOLES ARE 9.5mm DIA,
10.25mm FROM BOTTOM AND TOP EDGES
= CENTRE OF HOLE
8.25mm FROM SIDE EDGE
= CENTRE OF HOLE

TEMPERATURE CONTROLS PTY LTD

Certificate No: QEC 14412
ISO 9001

CONDITIONS

THIS DRAWING IS OUR EXCLUSIVE PROPERTY AND MUST NOT BE COPIED OR HANDED TO ANY OTHER PARTIES WITH OUT WRITTEN PERMISSION. IT SHALL BE RETURNED UPON REQUEST

SYDNEY : 7 YAMMA ST SEFTON , NSW 2162
PHONE : (02) 9721 8644 FAX : (02) 9738 9339
MELBOURNE : 8/280 Whitehall St
YARRAVILLE VIC 3013
PHONE : (03) 9687 0000 FAX : (03) 9687 1900
EMAIL : sales@temperature.com.au



TITLE

SIZE : A4

DATE : 27/01/11

DWG NO : SD 843

SCALE : NTS

DRAWING BY R.B

REV : 00