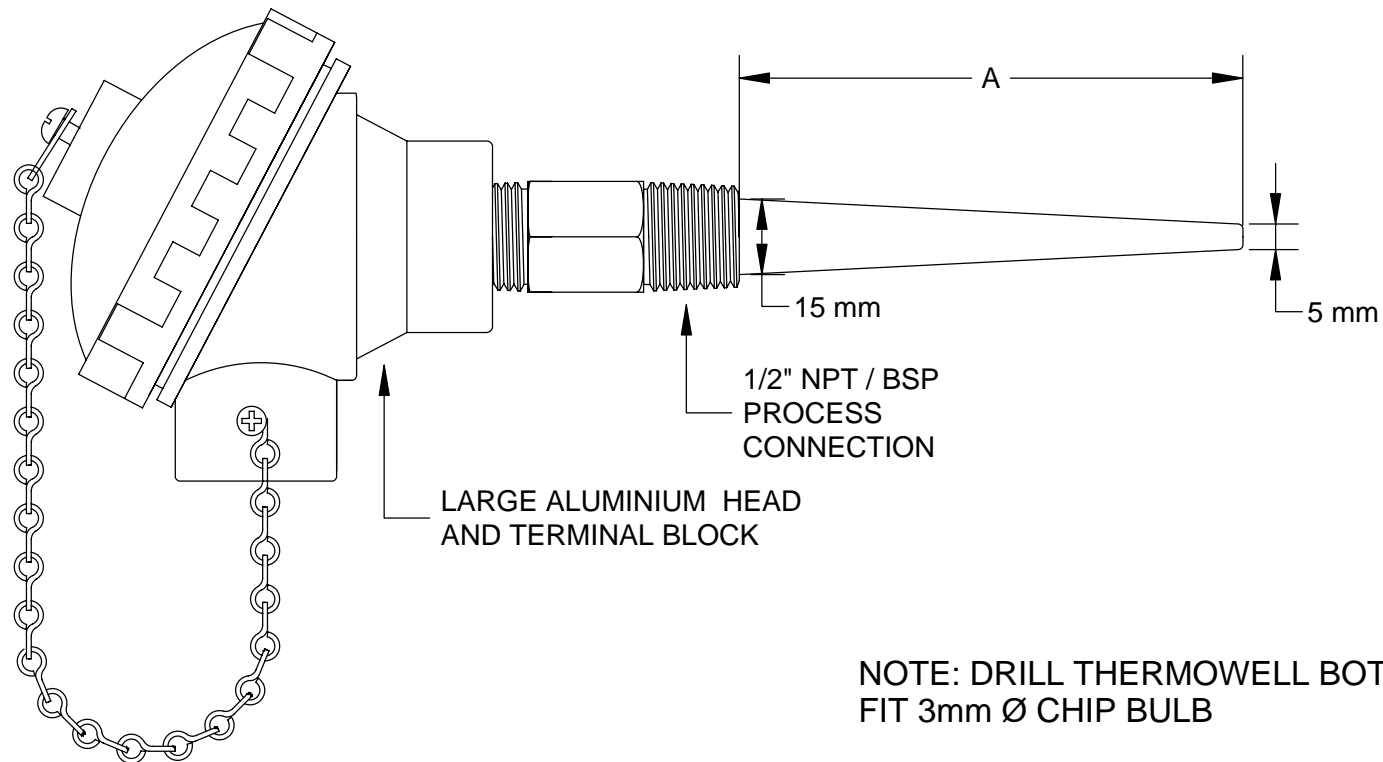


SURFACE FAST RESPONSE RTD



NOTE: DRILL THERMOWELL BOTH ENDS
FIT 3mm Ø CHIP BULB

**CLASS A
RTD PT100 SENSOR
LARGE ALUMINIUM HEAD
SPECIAL MACHINED TAPERED STEM**

TEMPERATURE CONTROLS PTY LTD

Certificate No: QEC 14412
AS/NZS 9001:2000

CONDITIONS

THIS DRAWING IS OUR
EXCLUSIVE PROPERTY
AND MUST NOT BE
COPIED OR HANDED
TO ANY OTHER PARTIES
WITH OUT WRITTEN
PERMISSION. IT SHALL
BE RETURNED UPON
REQUEST

SYDNEY : 7 YAMMA ST SEFTON , NSW 2162
PHONE : (02) 9721 8644 FAX : (02) 9738 9339
MELBOURNE : 8/280 Whitehall St
YARRAVILLE VIC 3013
PHONE : (03) 9687 0000 FAX : (03) 9687 1900
EMAIL : sales@temperature.com.au



TITLE

SIZE : A4

DATE : 27/01/11

DWG NO : SD 842

SCALE : NTS

DRAWING BY R.B

REV : 00