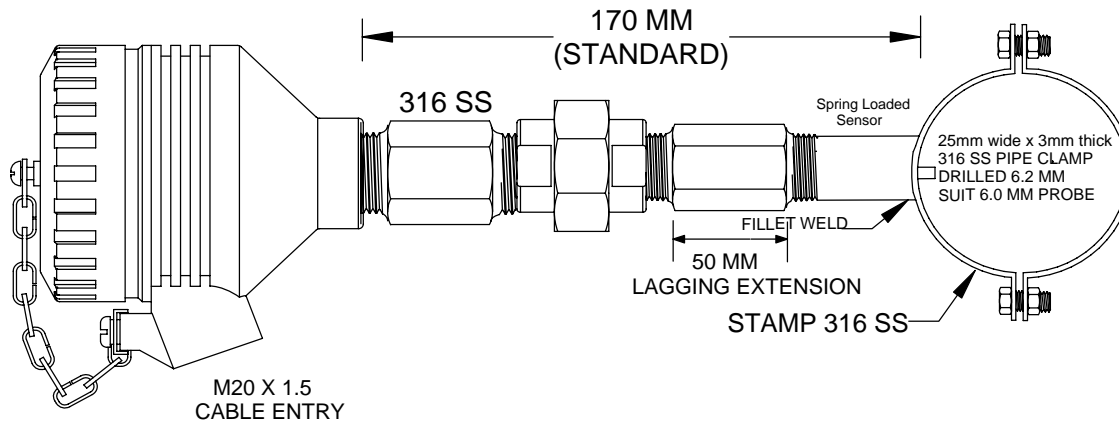
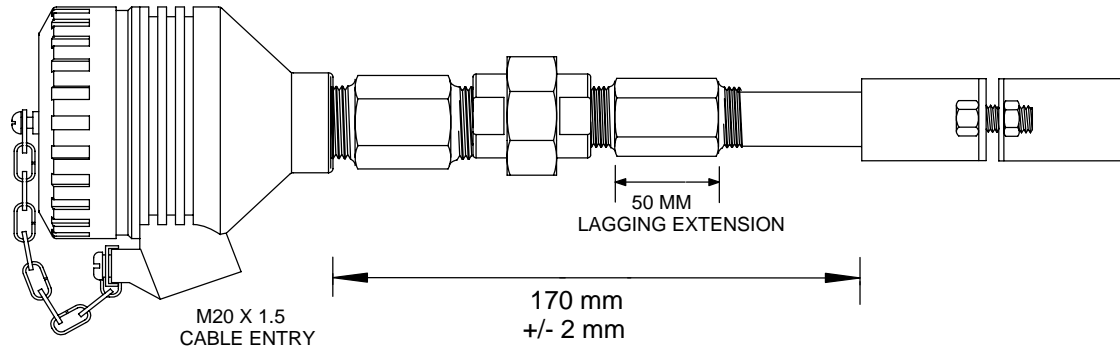


# Ex de / Ex tD Certified Temperature Assembly Spring Loaded Nipple Connection

MODEL No: TC20SPRTA

ASSEMBLY SHOWN WITH OPTIONAL 3 PIECE UNION AND LAGGING EXTENSION  
 THESE ITEMS DO NOT NEED CERTIFICATION AS FLAMEPATH ENDS AT NIPPLE  
 ATTACHED TO ENCLOSURE.  
 MATERIAL: ALUMINIUM ALLOY  
 DEGREE OF PROTECTION : IP66

Line Size	Nominal OD
50mm (2")	60.3mm
80mm (3")	88.9mm
100mm (4")	114.3mm
150mm (6")	168.3mm
200mm (8")	219.1mm
250mm (10")	273.1mm
300mm (12")	323.9mm
350mm (14")	355.6mm
400mm (16")	406.4mm
450mm (18")	457.2mm
500mm (20")	508.0mm



- SINGLE
- DUPLEX
- TYPE K THERMOCOUPLE
- TYPE N THERMOCOUPLE
- 3 WIRE RTD PT100
- 4 WIRE RTD PT100

## HEAVY DUTY PIPE CLAMP THERMOCOUPLE / RTD

CERTIFIED FOR USE WITH MIMS THERMOCOUPLES AND MIMS RTD SENSORS  
 MAX 40V 3 WATT RATING ACCEPTS 33 MM & 40 MM CENTRE TERMINAL BLOCKS OR IN HEAD TRANSMITTERS.

FOR APPLICATIONS WHERE THE TEMPERATURE SENSOR IS TO BE USED IN T5 TO T1 TEMPERATURES A 50 MM LAGGING EXTENSION SHALL BE FITTED TO ENSURE THE ENCLOSURE REMAINS BELOW T6 TEMPERATURE RATING.

IECEX certified or T6 IP66 or Ex tD A21 T6 IP66

IECEX Certificate of Conformance No : IECEX TSA 09.0045X  
 for complete assembly

### TEMPERATURE CONTROLS PTY LTD

QUALITY ENDORSED COMPANY  
 Certificate No: QEC 14412  
 AS/NZS 9001:2008

#### CONDITIONS

THIS DRAWING IS OUR EXCLUSIVE PROPERTY AND MUST NOT BE COPIED OR HANDED TO ANY OTHER PARTIES WITH OUT WRITTEN PERMISSION. IT SHALL BE RETURNED UPON REQUEST

SYDNEY: 7 YAMMA ST SEFTON , NSW 2162  
 PHONE: (02) 9721 8644 FAX : (02) 9738 9339  
 MELBOURNE: 8/280 Whitehall St YARRAVILLE, VIC 3013  
 PHONE: (03) 9687 0000 FAX : (03) 9687 1900  
 BRISBANE: 28A/125 Kerry Road, Archerfield Qld 4108  
 PHONE: (07) 3373 8424 FAX: (07) 3373 8067  
 EMAIL: sales@temperature.com.au

TITLE

SIZE : A4

DATE : 20/08/14

**DWG NO : SD825**

SCALE : NTS

DRAWING BY R.B

**REV : 04**