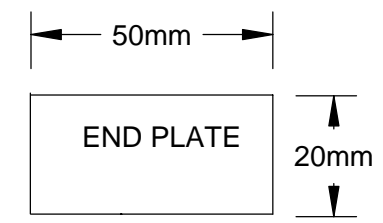
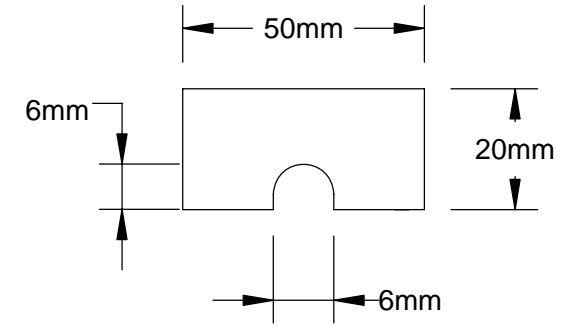
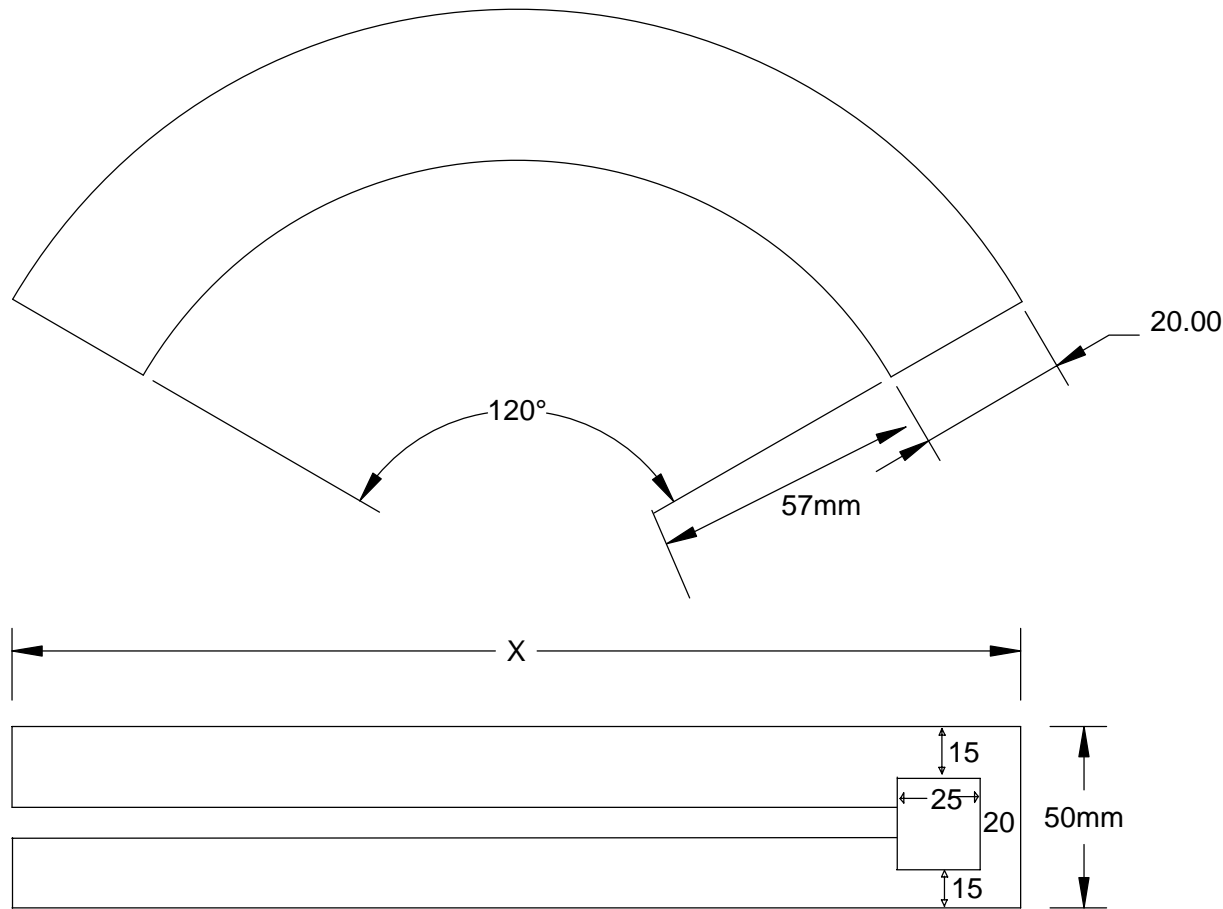
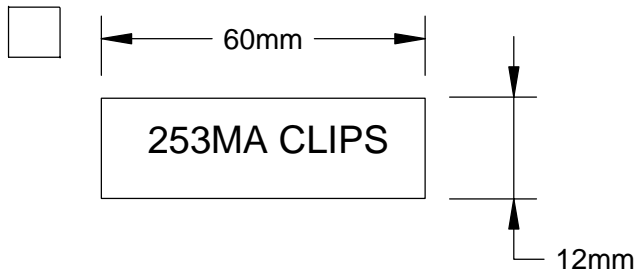


253MA HEAT SHIELD

DIAMETER OF PIPE 4.5" (114mm)



OPTIONS



TEMPERATURE CONTROLS PTY LTD Certificate No: QEC 14412
ISO: 9001

CONDITIONS
THIS DRAWING IS OUR EXCLUSIVE PROPERTY AND MUST NOT BE COPIED OR HANDED TO ANY OTHER PARTIES WITH OUT WRITTEN PERMISSION. IT SHALL BE RETURNED UPON REQUEST

SYDNEY : 7 YAMMA ST SEFTON , NSW 2162
PHONE : (02) 9721 8644 FAX : (02) 9738 9339
MELBOURNE : 8/280 Whitehall St
YARRAVILLE VIC 3013
PHONE : (03) 9687 0000 FAX : (03) 9687 1900
EMAIL : sales@temperature.com.au



TITLE		
SIZE : A4	DATE : 01/07/10	DWG NO : SD 797
SCALE : NTS	DRAWING BY R.B	REV : 00