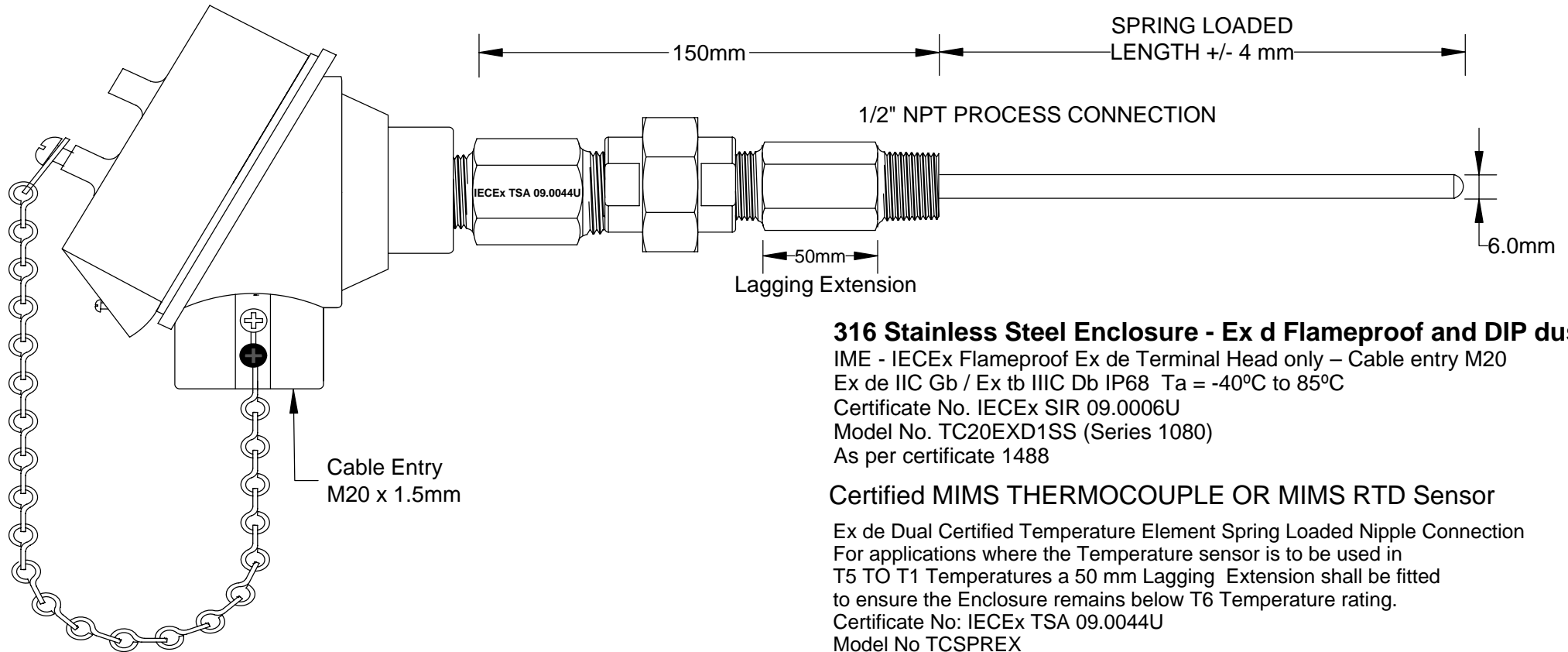


Ex de / Ex tD Element Spring Loaded Nipple Connection With 316 Stainless Steel Terminal Head



316 Stainless Steel Enclosure - Ex d Flameproof and DIP dust
 IME - IECEx Flameproof Ex de Terminal Head only – Cable entry M20
 Ex de IIC Gb / Ex tb IIIC Db IP68 Ta = -40°C to 85°C
 Certificate No. IECEx SIR 09.0006U
 Model No. TC20EXD1SS (Series 1080)
 As per certificate 1488

Certified MIMS THERMOCOUPLE OR MIMS RTD Sensor

Ex de Dual Certified Temperature Element Spring Loaded Nipple Connection
 For applications where the Temperature sensor is to be used in
 T5 TO T1 Temperatures a 50 mm Lagging Extension shall be fitted
 to ensure the Enclosure remains below T6 Temperature rating.
 Certificate No: IECEx TSA 09.0044U
 Model No TCSPREX
 As per Certificate 1368

IECEX Dual certified Ex de IIC T6 IP66 or Ex tD A21 T6 IP66

576

TEMPERATURE CONTROLS PTY LTD

QUALITY ENDORSED COMPANY
 Certificate No: QEC 14412
 AS/NZS 9001:2008

CONDITIONS

THIS DRAWING IS OUR
 EXCLUSIVE PROPERTY
 AND MUST NOT BE
 COPIED OR HANDED
 TO ANY OTHER PARTIES
 WITH OUT WRITTEN
 PERMISSION. IT SHALL
 BE RETURNED UPON
 REQUEST

SYDNEY: 7 YAMMA ST SEFTON, NSW 2162
 PHONE: (02) 9721 8644 FAX : (02) 9738 9339
 MELBOURNE: 8/280 Whitehall St YARRAVILLE, VIC 3013
 PHONE: (03) 9687 0000 FAX : (03) 9687 1900
 BRISBANE: 28A/125 Kerry Road, Archerfield Qld 4108
 PHONE: 0418 222 868
 EMAIL: sales@temperature.com.au

TITLE
**IECEX TERMINAL HEAD C/W
 Ex de / Ex tD LAGGING EXTENSION ELEMENT**

SIZE : A4	DATE : 27/11/13	DWG NO : SD 731
SCALE : NTS	DRAWING BY R.B	REV : 05

IECEX Certificated of Conformance No : IECEx TSA 09.0044U
 as a component