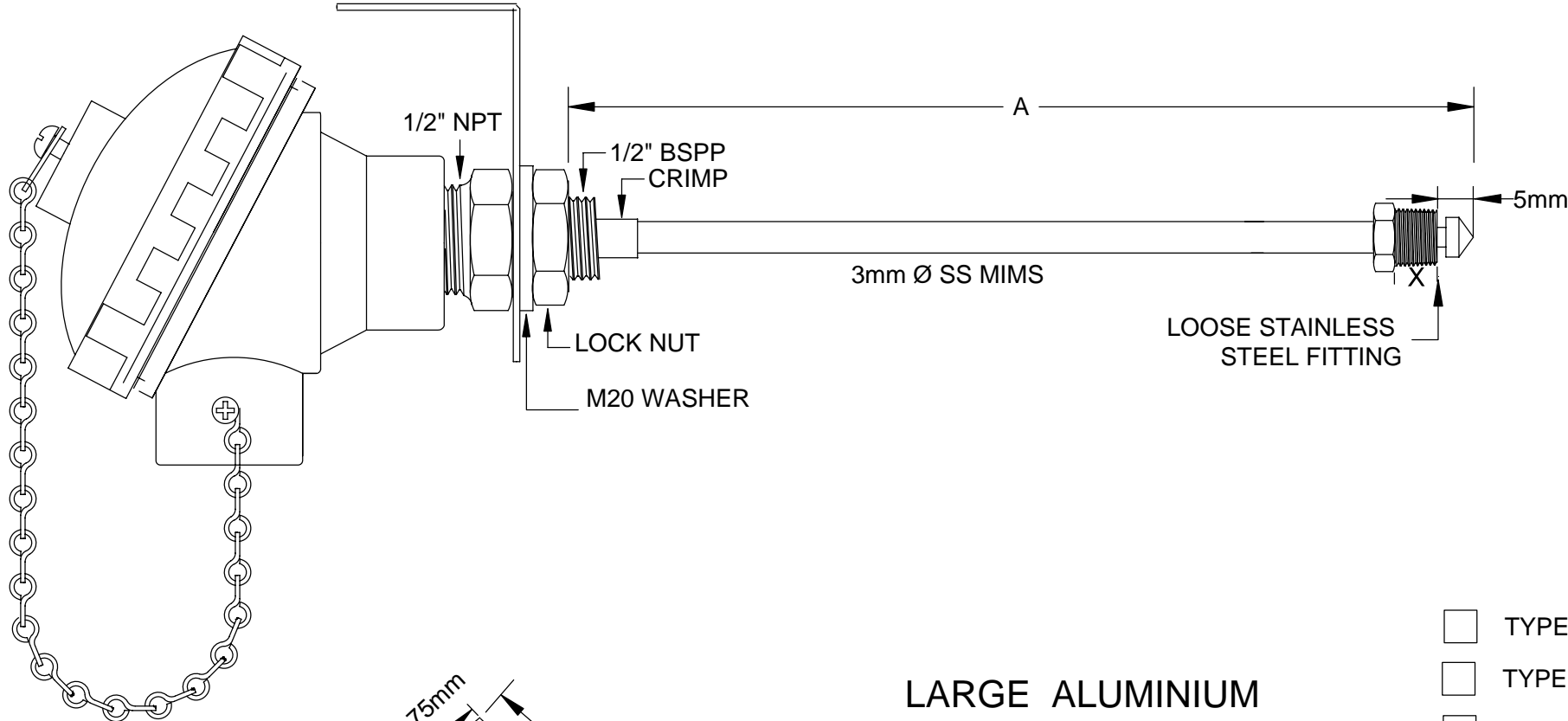


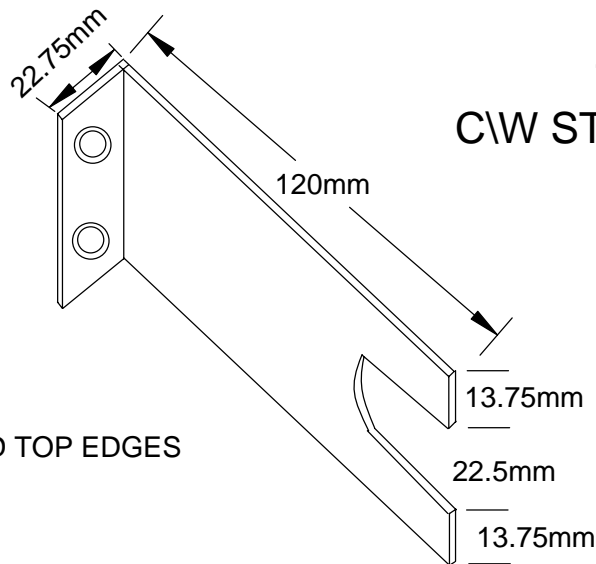
SS L BRACKET WITH 2 MOUNTING HOLES



BOLT SIZES

- 1/4" BSW
- 1/4" UNF
- M6
- M8
- OTHER

**LARGE ALUMINIUM
TERMINAL HEAD IP65
CW STAINLESS STEEL L BRACKET**



2mm THICK
HOLES ARE 9.5mm DIA,
10.25mm FROM BOTTOM AND TOP EDGES
= CENTRE OF HOLE
8.25mm FROM SIDE EDGE
= CENTRE OF HOLE

- TYPE K THERMOCOUPLE
- TYPE N THERMOCOUPLE
- TYPE J THERMOCOUPLE
- TYPE T THERMOCOUPLE
- RTD PT100

TEMPERATURE CONTROLS PTY LTD Certificate No: QEC 14412
ISO 9001

CONDITIONS

THIS DRAWING IS OUR EXCLUSIVE PROPERTY AND MUST NOT BE COPIED OR HANDED TO ANY OTHER PARTIES WITH OUT WRITTEN PERMISSION. IT SHALL BE RETURNED UPON REQUEST

SYDNEY : 7 YAMMA ST SEFTON , NSW 2162
PHONE : (02) 9721 8644 FAX : (02) 9738 9339
MELBOURNE : 8/280 Whitehall St
YARRAVILLE VIC 3013
PHONE : (03) 9687 0000 FAX : (03) 9687 1900
EMAIL : sales@temperature.com.au



TITLE		
SIZE : A4	DATE : 13/11/08	DWG NO : SD 695
SCALE : NTS	DRAWING BY K.F	REV : 00