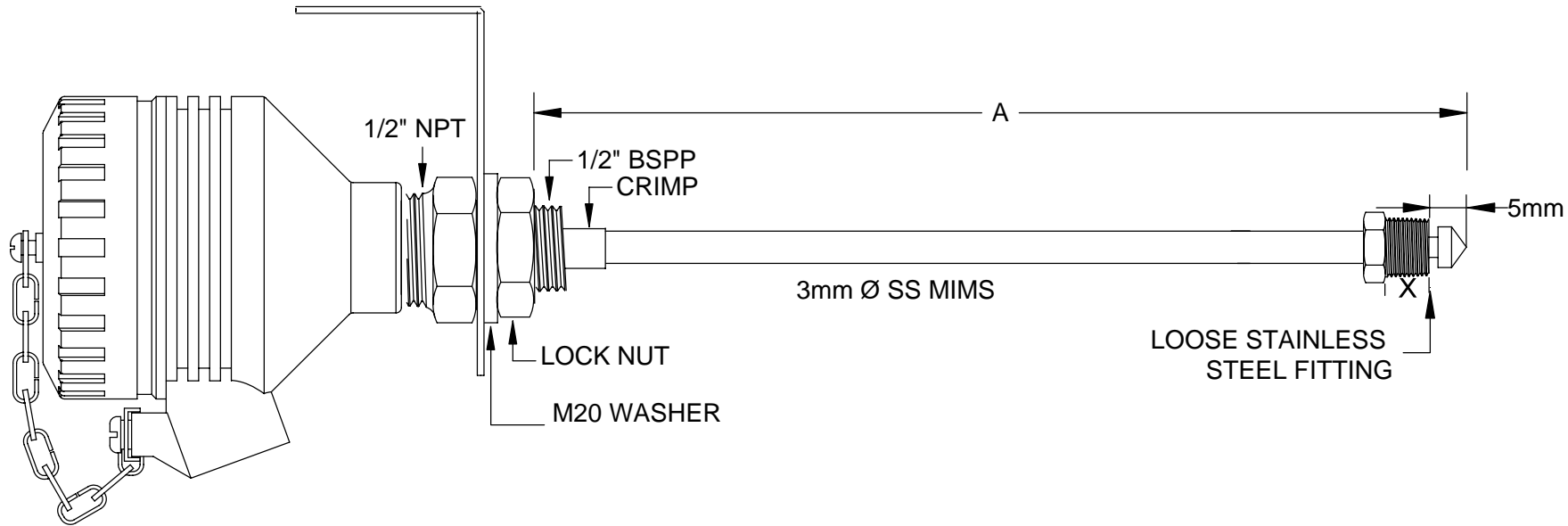


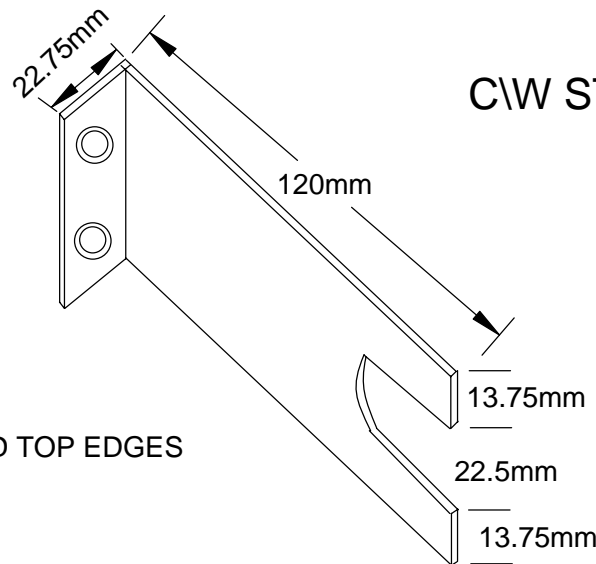
SS L BRACKET WITH 2 MOUNTING HOLES



**BOLT SIZES**

- 1/4" BSW
- 1/4" UNF
- M6
- M8
- OTHER

**LARGE ALUMINIUM  
TERMINAL HEAD IP65  
C\W STAINLESS STEEL L BRACKET**



2mm THICK  
HOLES ARE 9.5mm DIA,  
10.25mm FROM BOTTOM AND TOP EDGES  
= CENTRE OF HOLE  
8.25mm FROM SIDE EDGE  
= CENTRE OF HOLE

- TYPE K THERMOCOUPLE
- TYPE N THERMOCOUPLE
- TYPE J THERMOCOUPLE
- TYPE T THERMOCOUPLE
- RTD PT100

**TEMPERATURE CONTROLS PTY LTD** Certificate No: QEC 14412  
ISO 9001

**CONDITIONS**

THIS DRAWING IS OUR EXCLUSIVE PROPERTY AND MUST NOT BE COPIED OR HANDED TO ANY OTHER PARTIES WITH OUT WRITTEN PERMISSION. IT SHALL BE RETURNED UPON REQUEST

SYDNEY : 7 YAMMA ST SEFTON , NSW 2162  
PHONE : (02) 9721 8644 FAX : (02) 9738 9339  
MELBOURNE : 8/280 Whitehall St  
YARRAVILLE VIC 3013  
PHONE : (03) 9687 0000 FAX : (03) 9687 1900  
EMAIL : sales@temperature.com.au



TITLE		
SIZE : A4	DATE : 17/11/08	<b>DWG NO : SD 694</b>
SCALE : NTS	DRAWING BY K.F	<b>REV : 00</b>