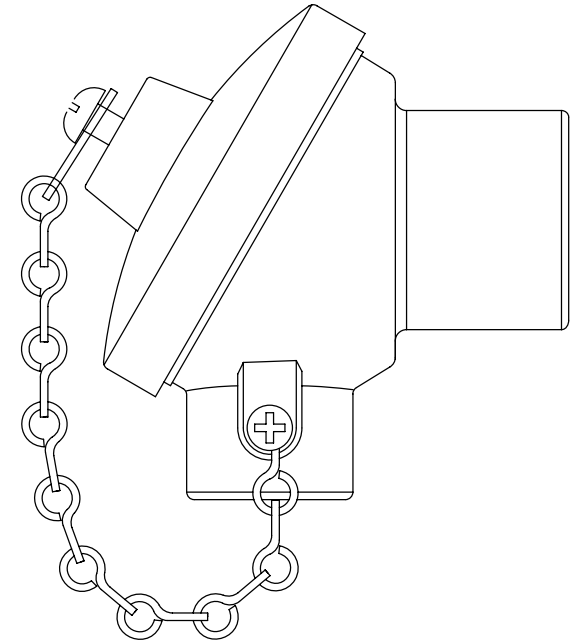
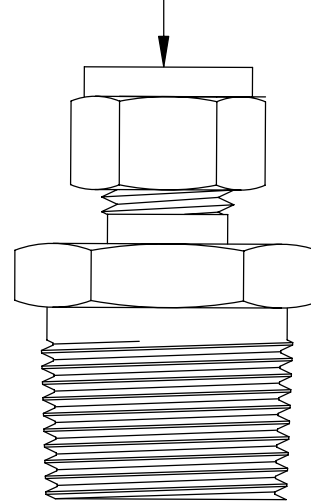


1" BSP 316 S/STEEL
COMPRESSION FITTING
(SUPPLIED LOOSE)



- CLASS A RTD
- 1/10 DIN RTD

316 S/S
HYGENIC FINISH

**SUPPLIED WITH SMALL BAKELITE HEAD
& 3 WAY BAKELITE TERMINAL BLOCK**

**3/4" NB SCH 160, 316 S/S PIPE 26.67Ø
WALL THICKNESS 5.537mm
FAST RESPONSE RTD**

TEMPERATURE CONTROLS PTY LTD

Certificate No: QEC 14412
AS/NZS 9001:2000

CONDITIONS

THIS DRAWING IS OUR EXCLUSIVE PROPERTY AND MUST NOT BE COPIED OR HANDED TO ANY OTHER PARTIES WITH OUT WRITTEN PERMISSION. IT SHALL BE RETURNED UPON REQUEST

SYDNEY : 7 YAMMA ST SEFTON , NSW 2162
PHONE : (02) 9721 8644 FAX : (02) 9738 9339
MELBOURNE : 8/280 Whitehall St
YARRAVILLE VIC 3013
PHONE : (03) 9687 0000 FAX : (03) 9687 1900
EMAIL : sales@temperature.com.au



TITLE		
SIZE : A4	DATE : 08/04/08	DWG NO : SD 661
SCALE : NTS	DRAWING BY K.F	REV : 00