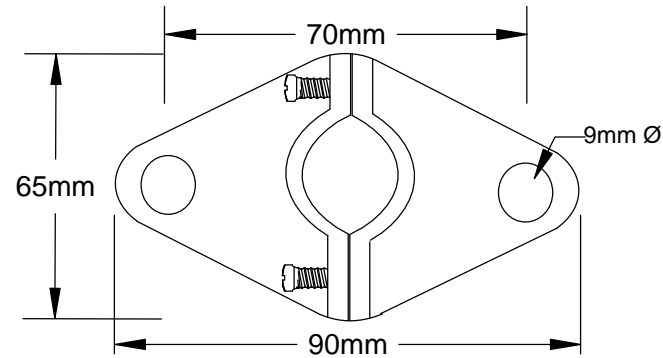


ADJUSTABLE MOUNTING FLANGE	
TCUZ21	SUIT 1/2" NB PIPE 21mm
TCUZ26	SUIT 3/4" NB PIPE 26mm



- TYPE K THERMOCOUPLE
- TYPE N THERMOCOUPLE
- TYPE J THERMOCOUPLE
- TYPE T THERMOCOUPLE

**LARGE ALUMINIUM HEAD IP65  
STAINLESS STEEL  
PROTECTION SHEATH  
C/W CAST IRON MOUNTING BRACKET**

**TEMPERATURE CONTROLS PTY LTD** Certificate No: QEC 14412  
AS/NZS 9001:2000

**CONDITIONS**

THIS DRAWING IS OUR EXCLUSIVE PROPERTY AND MUST NOT BE COPIED OR HANDED TO ANY OTHER PARTIES WITH OUT WRITTEN PERMISSION. IT SHALL BE RETURNED UPON REQUEST

SYDNEY : 7 YAMMA ST SEFTON , NSW 2162  
PHONE : (02) 9721 8644 FAX : (02) 9738 9339  
MELBOURNE : 8/280 Whitehall St  
YARRAVILLE VIC 3013  
PHONE : (03) 9687 0000 FAX : (03) 9687 1900  
EMAIL : sales@temperature.com.au



TITLE

SIZE : A4	DATE : 19/03/08	<b>DWG NO : SD 657</b>
SCALE : NTS	DRAWING BY R.M	<b>REV : 00</b>