

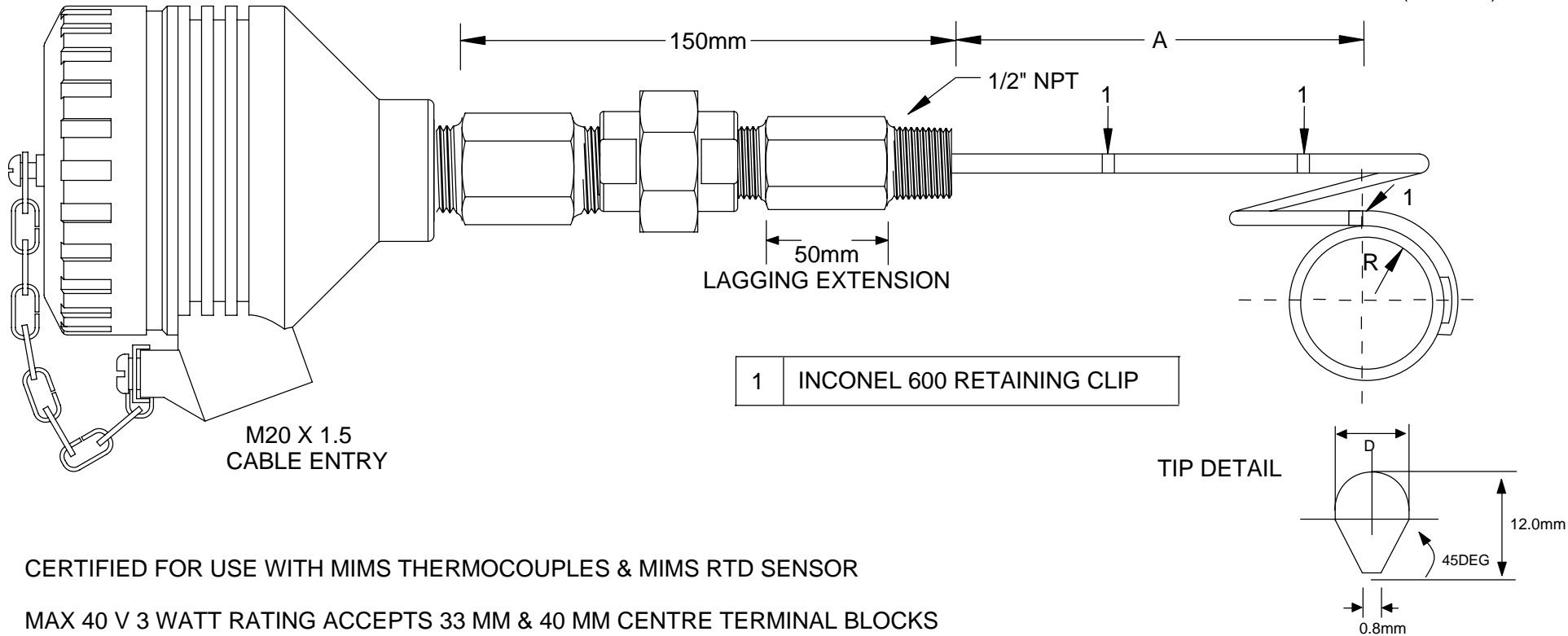
Ex de / Ex tD Certified Temperature Assembly Fixed Nipple Union Nipple Connection

MODEL No: TC20FIXTA - Assembly shown with lagging extension

MATERIAL: ALUMINIUM ALLOY
 DEGREE OF PROTECTION : IP66

90dg BEND SKIN TUBE THERMOCOUPLE

CALIBRATION: K, N, E & J MIMS, 310 SS, INCONEL 600, HASTELLOY X, OTHER
 ELEMENT: SINGLE
 TIP MATERIAL: INCONEL 600, 253MA, 446, HASTELLOY X, OTHER
 HOT JUNCTION: GROUNDED / INSULATED (SPECIFY)



CERTIFIED FOR USE WITH MIMS THERMOCOUPLES & MIMS RTD SENSOR

MAX 40 V 3 WATT RATING ACCEPTS 33 MM & 40 MM CENTRE TERMINAL BLOCKS
 OR IN HEAD TRANSMITTERS.

FOR APPLICATIONS WHERE THE TEMPERATURE SENSOR IS TO BE USED IN
 T5 TO T1 TEMPERATURES A 50 MM LAGGING EXTENSION SHALL BE FITTED
 TO ENSURE THE ENCLOSURE REMAINS BELOW T6 TEMPERATURE RATING.

IECEX certified Ex de IIC T6 IP66 or Ex tD A21 T6 IP66

IECEX Certificate of Conformance No : IECEX TSA 09.0045X
for complete assembly

TEMPERATURE CONTROLS PTY LTD		QUALITY ENDORSED COMPANY Certificate No: QEC 14412 AS/NZS 9001:2008
CONDITIONS	SYDNEY: 7 YAMMA ST SEFTON, NSW 2162 PHONE: (02) 9721 8644 FAX : (02) 9738 9339 MELBOURNE: 8/280 Whitehall St YARRAVILLE, VIC 3013 PHONE: (03) 9687 0000 FAX : (03) 9687 1900 BRISBANE: 28A/125 Kerry Road, Archerfield Qld 4108 PHONE: 0418 222 868 EMAIL: sales@temperature.com.au	
THIS DRAWING IS OUR EXCLUSIVE PROPERTY AND MUST NOT BE COPIED OR HANDED TO ANY OTHER PARTIES WITH OUT WRITTEN PERMISSION. IT SHALL BE RETURNED UPON REQUEST	TITLE Ex de / Ex tD ASSEMBLY	
SIZE : A4	DATE : 11/12/13	DWG NO : SD 625
SCALE : NTS	DRAWING BY R.B	REV : 06