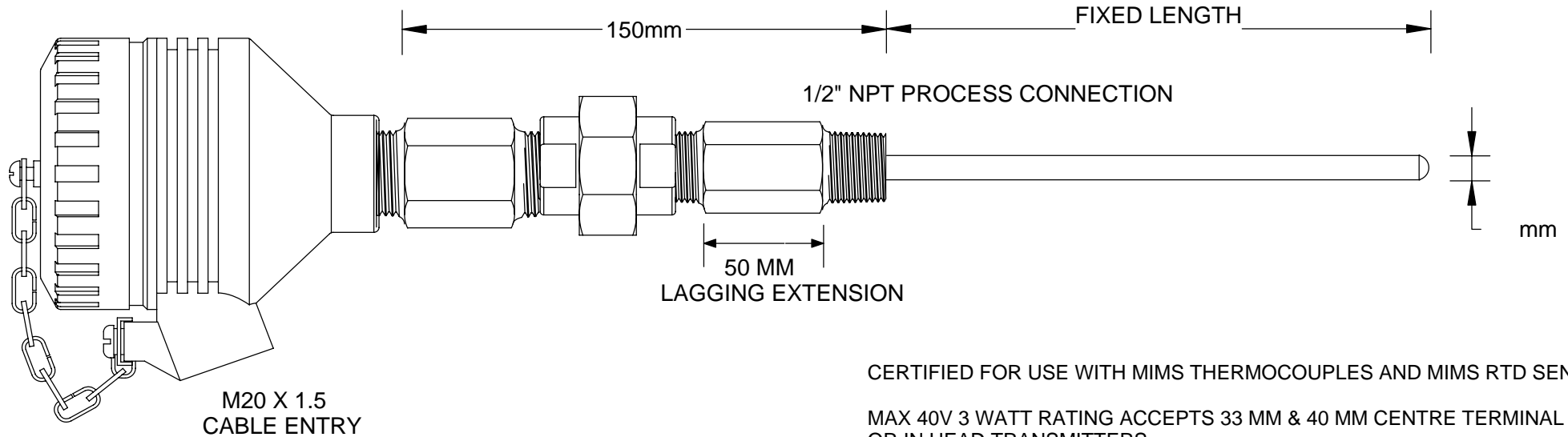


Ex de / Ex tD Certified Temperature Assembly Fixed Nipple Connection

MODEL No: TC20FIXTA

ASSEMBLY SHOWN WITH OPTIONAL 3 PIECE UNION AND LAGGING EXTENSION
 THESE ITEMS DO NOT NEED CERTIFICATION AS FLAMEPATH ENDS AT NIPPLE
 ATTACHED TO ENCLOSURE.

MATERIAL: ALUMINIUM ALLOY
 DEGREE OF PROTECTION : IP66



CERTIFIED FOR USE WITH MIMS THERMOCOUPLES AND MIMS RTD SENSORS

MAX 40V 3 WATT RATING ACCEPTS 33 MM & 40 MM CENTRE TERMINAL BLOCKS OR IN HEAD TRANSMITTERS.

FOR APPLICATIONS WHERE THE TEMPERATURE SENSOR IS TO BE USED IN T5 TO T1 TEMPERATURES A 50 MM LAGGING EXTENSION SHALL BE FITTED TO ENSURE THE ENCLOSURE REMAINS BELOW T6 TEMPERATURE RATING.

IECEX certified Ex de IIC T6 IP66 or Ex tD A21 T6 IP66

IECEX Certificate of Conformance No : IECEX TSA 09.0045X
 For complete assembly

TEMPERATURE CONTROLS PTY LTD		QUALITY ENDORSED COMPANY Certificate No: QEC 14412 AS/NZS 9001:2008
<p>CONDITIONS</p> <p>THIS DRAWING IS OUR EXCLUSIVE PROPERTY AND MUST NOT BE COPIED OR HANDED TO ANY OTHER PARTIES WITH OUT WRITTEN PERMISSION. IT SHALL BE RETURNED UPON REQUEST</p>	<p>SYDNEY: 7 YAMMA ST SEFTON , NSW 2162 PHONE: (02) 9721 8644 FAX : (02) 9738 9339 MELBOURNE: 8/280 Whitehall St YARRAVILLE, VIC 3013 PHONE: (03) 9687 0000 FAX : (03) 9687 1900 BRISBANE: 28A/125 Kerry Road, Archerfield Qld 4108 PHONE: 0418 222 868 EMAIL: sales@temperature.com.au</p>	
	<p>TITLE</p> <p>Ex de / Ex tD ASSEMBLY</p>	
SIZE : A4	DATE : 11/12/13	DWG NO : SD 619
SCALE : NTS	DRAWING BY R.B	REV : 03