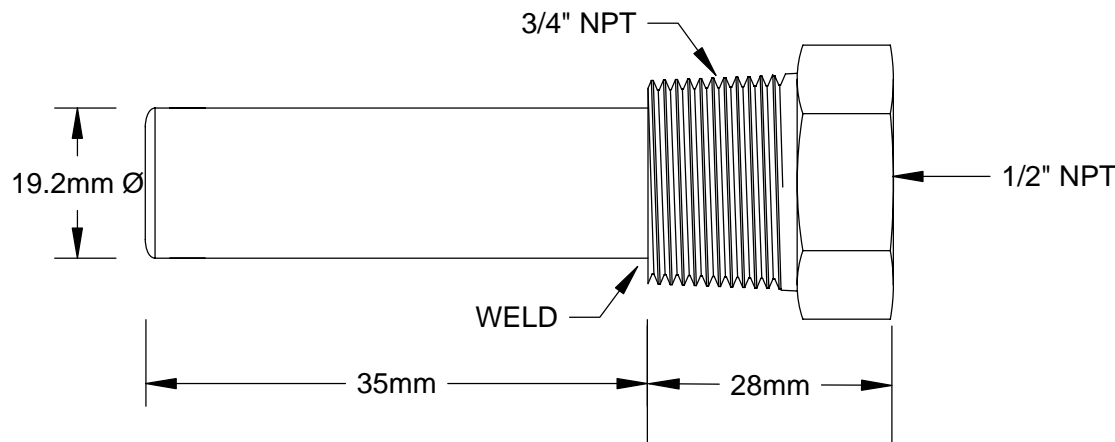


OPTION: 316 S/S FABRICATED THERMOWELL

FACTORY SET SPECIFY °C




BRASS CARTRIDGE THERMOSTAT
Adjustable thermostat Range : 0 to 250°C

Normally open or normally closed contact models.
The cartridge will fit in a 16mm Ø hole.
Set temperature adjustable by the screw in the Hex nipple.
Turn screw clockwise to increase switch point above room temperature N/O units.
Turn screw counter clockwise to increase switch point above room temperature N/C units.

Material = Brass
Rated up to 240V AC 1,200 WATTS (5 AMPS resistive load)
1/2" NPT Process and instrument connection
Stem length = 52mm
2 x fibreglass leads 150mm long
We can fit terminal heads to the probe,
however if used for 240 V AC application the cap needs to be secured by a locking screw.
It is a requirement that a tool is needed to remove a cover when accessing 240 Volt terminals.
These units can be fitted to a thermowell with a 3/4" thread minimum process thread.

CARTRIDGE THERMOSTAT ADJUSTABLE RANGE 0 to 250 DEGC

| | | |
|--|-----------------|---|
| TEMPERATURE CONTROLS PTY LTD | | Certificate No: QEC 14412 AS/NZS 9001:2000 |
| CONDITIONS | |  |
| THIS DRAWING IS OUR EXCLUSIVE PROPERTY AND MUST NOT BE COPIED OR HANDED TO ANY OTHER PARTIES WITHOUT WRITTEN PERMISSION. IT SHALL BE RETURNED UPON REQUEST | | |
| TITLE | | |
| SIZE : A4 | DATE : 28/09/09 | DWG NO : SD 616 |
| SCALE : NTS | DRAWING BY K.F | REV : 02 |