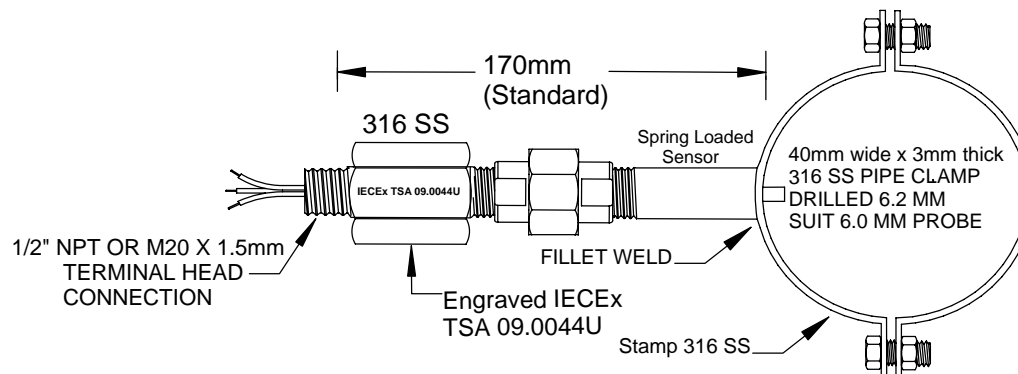
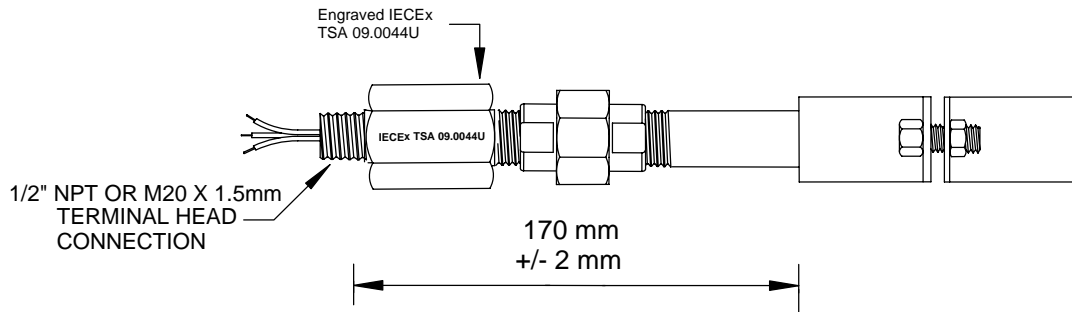


Ex de / Ex tD Element Spring Loaded Nipple Connection With 316 Stainless Steel with Heavy Duty Pipe Clamp

Line Size	Nominal OD
50mm (2")	60.3mm
80mm (3")	88.9mm
100mm (4")	114.3mm
150mm (6")	168.3mm
200mm (8")	219.1mm
250mm (10")	273.1mm
300mm (12")	323.9mm
350mm (14")	355.6mm
400mm (16")	406.4mm
450mm (18")	457.2mm
500mm (20")	508.0mm



- SINGLE
- DUPLEX
- TYPE K THERMOCOUPLE
- TYPE N THERMOCOUPLE
- 3 WIRE RTD PT100
- 4 WIRE RTD PT100

Certified MIMS THERMOCOUPLE OR MIMS RTD Sensor

Ex de Dual Certified Temperature Element Spring Loaded Nipple Connection
For applications where the Temperature sensor is to be used in T5 TO T1 Temperatures a 50 mm Lagging Extension shall be fitted to ensure the Enclosure remains below T6 Temperature rating.
Certificate No: IECEx TSA 09.0044U
Model No TCSPREX
As per Certificate 1368

IECEx Dual certified Ex de IIC T6 IP66 or Ex tD A21 T6 IP66

IECEx Certificated of Conformance No : IECEx TSA 09.0044U
as a component

TEMPERATURE CONTROLS PTY LTD		QUALITY ENDORSED COMPANY Certificate No: QEC 14412 AS/NZS 9001:2008
CONDITIONS		SYDNEY: 7 YAMMA ST SEFTON, NSW 2162 PHONE: (02) 9721 8644 FAX : (02) 9738 9339 MELBOURNE: 8/280 Whitehall St YARRAVILLE, VIC 3013 PHONE: (03) 9687 0000 FAX : (03) 9687 1900 BRISBANE: 28A/125 Kerry Road, Archerfield Qld 4108 PHONE: 0418 222 868 EMAIL: sales@temperature.com.au
THIS DRAWING IS OUR EXCLUSIVE PROPERTY AND MUST NOT BE COPIED OR HANDED TO ANY OTHER PARTIES WITH OUT WRITTEN PERMISSION. IT SHALL BE RETURNED UPON REQUEST		TITLE
SIZE : A4	DATE : 11/12/13	DWG NO : SD 6022
SCALE : NTS	DRAWING BY R.B	REV : 01