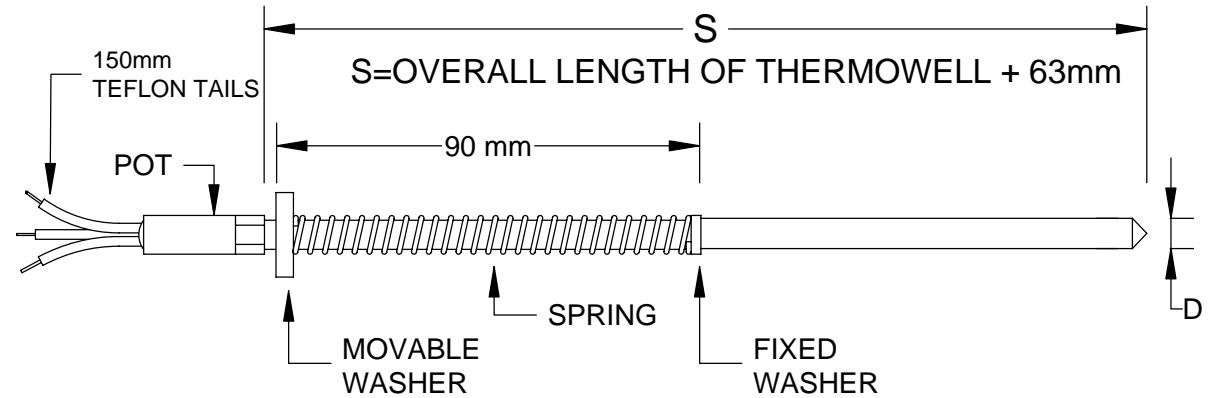
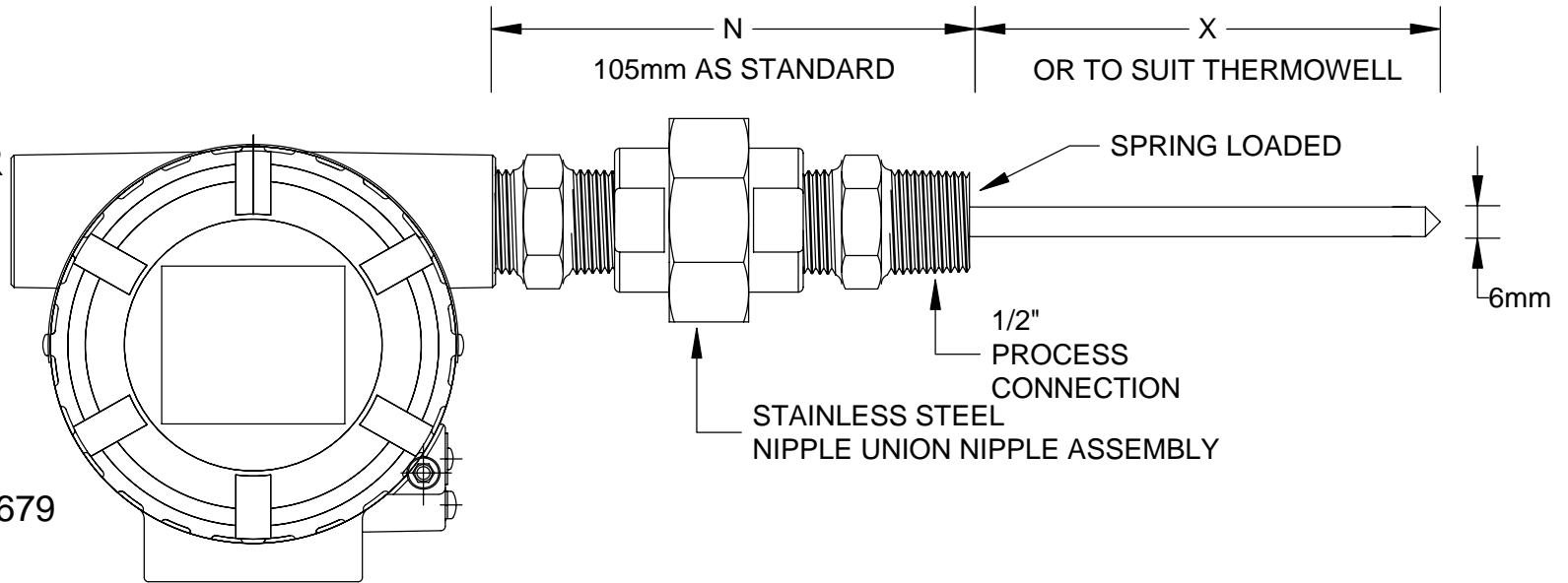


# SENSE INSTRUMENTS CO LTD

UNIVERSAL  
HART COMPATIBLE  
2 WIRE HEAD  
MOUNTED TRANSMITTER

DETAILED LITERATURE #1679



- TYPE K THERMOCOUPLE
- TYPE J THERMOCOUPLE
- TYPE T THERMOCOUPLE
- TYPE N THERMOCOUPLE
- 3 WIRE PT100 OHM RTD
- 4 WIRE PT100 OHM RTD

**316 S/S NIPPLE / UNION / NIPPLE  
SPRING LOADED ASSEMBLY.**

## TEMPERATURE CONTROLS PTY LTD

Certificate No: QEC 14412  
ISO 9001:2008

### CONDITIONS

THIS DRAWING IS OUR EXCLUSIVE PROPERTY AND MUST NOT BE COPIED OR HANDED TO ANY OTHER PARTIES WITH OUT WRITTEN PERMISSION. IT SHALL BE RETURNED UPON REQUEST

SYDNEY : 7 YAMMA ST SEFTON , NSW 2162  
PHONE : (02) 9721 8644 FAX : (02) 9738 9339  
MELBOURNE : 8/280 Whitehall St  
YARRAVILLE VIC 3013  
PHONE : (03) 9687 0000 FAX : (03) 9687 1900  
EMAIL : sales@temperature.com.au



TITLE

SIZE : A4	DATE : 05/09/12	<b>DWG NO : SD 6020</b>
SCALE : NTS	DRAWING BY R.B	<b>REV : 00</b>