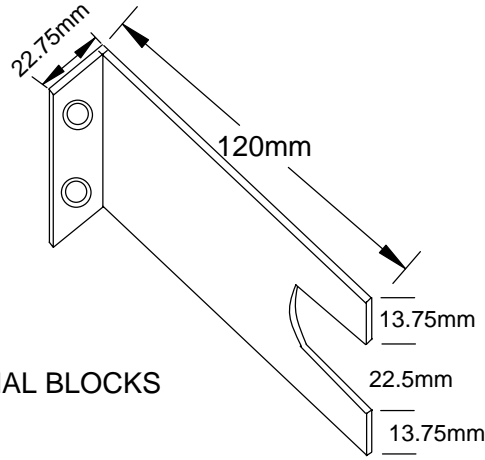
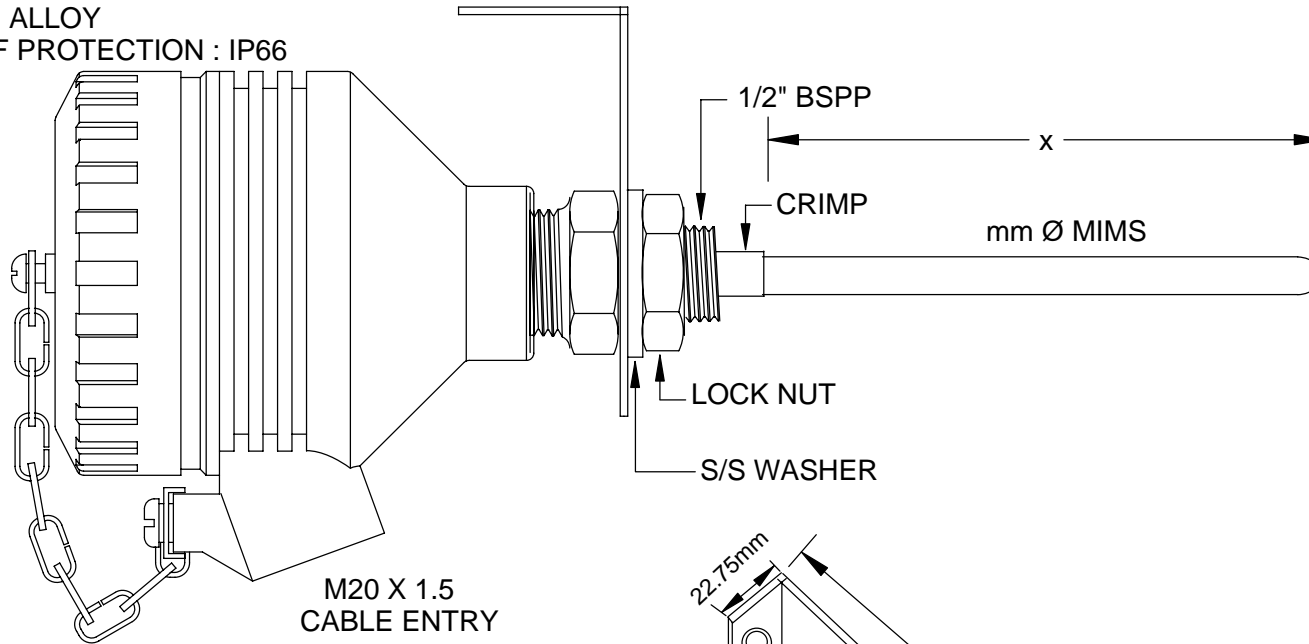


Ex de Flame Proof / Ex tD Dust Certified Temperature Assembly Fixed Nipple Connection MODEL No: TC20FIXTA

MATERIAL:
ALUMINIUM ALLOY
DEGREE OF PROTECTION : IP66

SS L BRACKET WITH 2 MOUNTING HOLES



2mm THICK
HOLES ARE 9.5mm DIA,
10.25mm FROM BOTTOM AND TOP EDGES
= CENTRE OF HOLE
8.25mm FROM SIDE EDGE
= CENTRE OF HOLE

CERTIFIED AS MIMS THERMOCOUPLE & MIMS RTD SENSOR

MAX 40 V 3 WATT RATING ACCEPTS 33 MM & 40 MM CENTRE TERMINAL BLOCKS
OR IN HEAD TRANSMITTERS.

IECEX certified Ex de IIC T6 IP66 or Ex tD A21 T6 IP66

IECEX Certificate of Conformance No : IECEX TSA 09.0045X
for complete assembly

MIMS SENSOR SURFACE MOUNT
IECEX CERTIFIED ASSEMBLY

| | | |
|---|-----------------|---|
| TEMPERATURE CONTROLS PTY LTD | | QUALITY ENDORSED COMPANY Certificate No: QES 14412 AS/NZS 9001:2008 |
| CONDITIONS | | SYDNEY: 7 YAMMA ST SEFTON, NSW 2162 PHONE: (02) 9721 8644 FAX : (02) 9738 9339 MELBOURNE: 8/280 Whitehall St YARRAVILLE, VIC 3013 PHONE: (03) 9687 0000 FAX : (03) 9687 1900 BRISBANE: 28A/125 Kerry Road, Archerfield Qld 4108 PHONE: 0418 222 868 EMAIL: sales@temperature.com.au |
| THIS DRAWING IS OUR EXCLUSIVE PROPERTY AND MUST NOT BE COPIED OR HANDED TO ANY OTHER PARTIES WITH OUT WRITTEN PERMISSION. IT SHALL BE RETURNED UPON REQUEST | | TITLE Ex de / Ex tD ASSEMBLY |
| SIZE : A4 | DATE : 11/12/13 | DWG NO : SD 582 |
| SCALE : NTS | DRAWING BY R.B | REV : 06 |