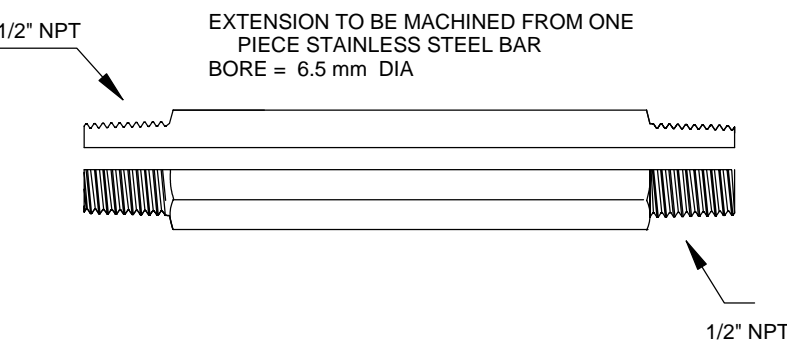
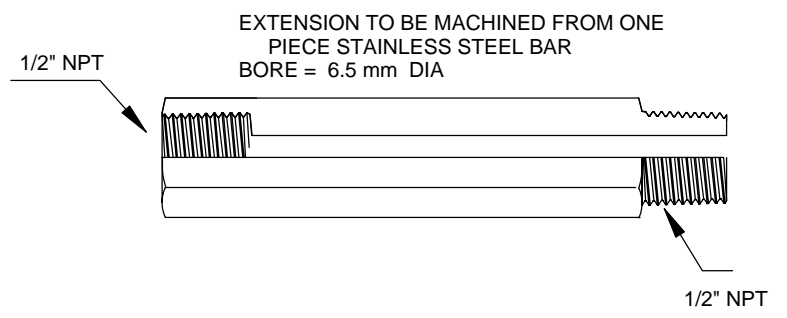
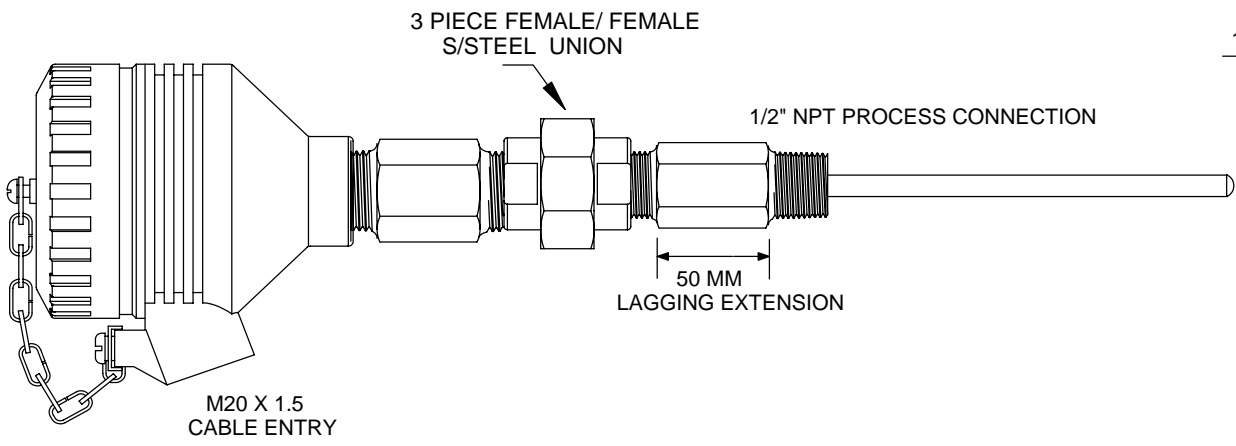


TYPICAL INSTALLATION



LAGGING EXTENSION

T6 NO LAGGING EXTENSION REQUIRED
 FOR APPLICATIONS WHERE THE TEMPERATURE SENSOR
 IS TO BE USED IN T5 TO T1 TEMPERATURES A 50 MM
 LAGGING EXTENSION SHALL BE FITTED TO ENSURE
 THE ENCLOSURE REMAINS BELOW T6 TEMPERATURE
 RATING.

Approved By
 Date

Material = 316 Stainless Steel

UNLESS SPECIFIED DIMENSION TOLERANCE +/- 0.1 MM

TEMPERATURE CONTROLS PTY LTD		Certificate No: QEC 14412 AS/NZS 9001:2000
CONDITIONS THIS DRAWING IS OUR EXCLUSIVE PROPERTY AND MUST NOT BE COPIED OR HANDED TO ANY OTHER PARTIES WITH OUT WRITTEN PERMISSION. IT SHALL BE RETURNED UPON REQUEST	SYDNEY : 7 YAMMA ST SEFTON , NSW 2162 PHONE : (02) 9721 8644 FAX : (02) 9738 9339 MELBOURNE : 8/280 Whitehall St YARRAVILLE VIC 3013 PHONE : (03) 9687 0000 FAX : (03) 9687 1900 EMAIL : sales@temperature.com.au	
	TITLE LAGGING EXTENSION FOR TEMPERATURE RATING	
SIZE : A4	DATE : 20/02/07	DWG NO : 6682 (SD 578)
SCALE : NTS	DRAWING BY K.F	REV : 04

