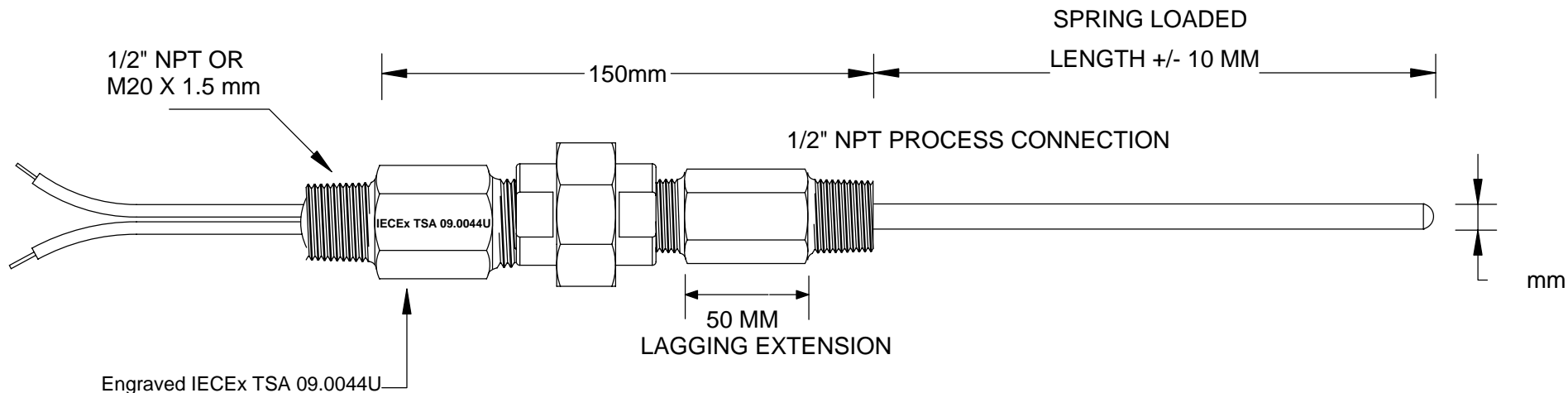


# Ex de / Ex tD Certified Temperature Element Spring Loaded Nipple Connection

## MODEL No: TCSPREX

### Dual Certified Ex d Flameproof & Ex e Increased Safety



CERTIFIED FOR USE WITH MIMS THERMOCOUPLES AND MIMS RTD SENSORS

SUITABLE FOR USE WITH CERTIFIED Ex d / Ex e / Ex tD ENCLOSURE OR TRANSMITTER HOUSING WITH HAS 1/2" NPT OR M20 X 1.5 MM PROCESS CONNECTION

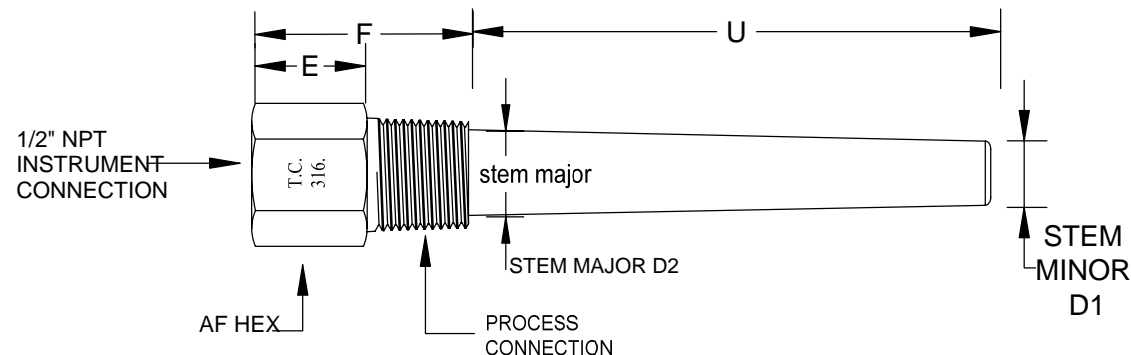
MUST BE USED WITH A THERMOWELL TO MAINTAIN IP RATING

FOR APPLICATIONS WHERE THE TEMPERATURE SENSOR IS TO BE USED IN T5 TO T1 TEMPERATURES A 50 MM LAGGING EXTENSION SHALL BE FITTED TO ENSURE THE ENCLOSURE REMAINS BELOW T6 TEMPERATURE RATING.

IECEX Dual certified Ex de IIC T6 IP66 or Ex tD A21 T6 IP66

ASSEMBLY SHOWN WITH OPTIONAL 3 PIECE UNION AND LAGGING EXTENSION THESE ITEMS DO NOT NEED CERTIFICATION AS FLAMEPATH ENDS AT NIPPLE ATTACHED TO ENCLOSURE.

IECEX Certificate of Conformance No : IECEX TSA 09.0044U  
as a component



#### TEMPERATURE CONTROLS PTY LTD

QUALITY ENDORSED COMPANY  
Certificate No: QEC 14412  
AS/NZS 9001:2008

#### CONDITIONS

THIS DRAWING IS OUR EXCLUSIVE PROPERTY AND MUST NOT BE COPIED OR HANDED TO ANY OTHER PARTIES WITH OUT WRITTEN PERMISSION. IT SHALL BE RETURNED UPON REQUEST

SYDNEY: 7 YAMMA ST SEFTON , NSW 2162  
PHONE: (02) 9721 8644 FAX : (02) 9738 9339  
MELBOURNE: 8/280 Whitehall St YARRAVILLE, VIC 3013  
PHONE: (03) 9687 0000 FAX : (03) 9687 1900  
BRISBANE: 28A/125 Kerry Road, Archerfield Qld 4108  
PHONE: 0418 222 868  
EMAIL: sales@temperature.com.au

TITLE

Ex de / Ex tD ELEMENT

SIZE : A4

DATE : 11/12/13

DWG NO : SD576TW

SCALE : NTS

DRAWING BY R.B

REV : 02