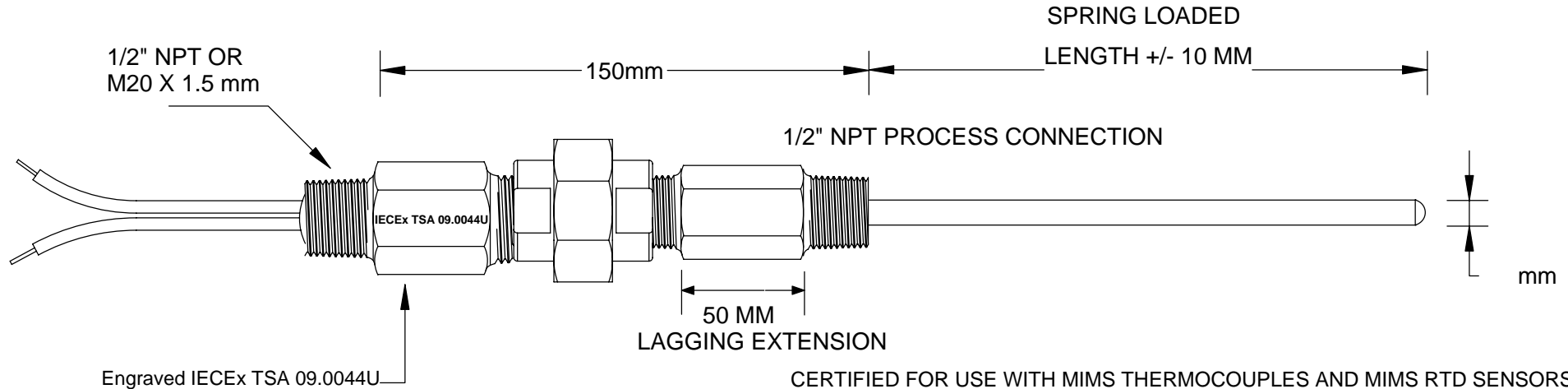


Ex de / Ex tD Certified Temperature Element Spring Loaded Nipple Connection

MODEL No: TCSPREX

Dual Certified Ex d Flameproof & Ex e Increased Safety



CERTIFIED FOR USE WITH MIMS THERMOCOUPLES AND MIMS RTD SENSORS

SUITABLE FOR USE WITH CERTIFIED Ex d / Ex e / Ex tD ENCLOSURE OR TRANSMITTER HOUSING WITH HAS 1/2" NPT OR M20 X 1.5 MM PROCESS CONNECTION

MUST BE USED WITH A THERMOWELL TO MAINTAIN IP RATING

FOR APPLICATIONS WHERE THE TEMPERATURE SENSOR IS TO BE USED IN T5 TO T1 TEMPERATURES A 50 MM LAGGING EXTENSION SHALL BE FITTED TO ENSURE THE ENCLOSURE REMAINS BELOW T6 TEMPERATURE RATING.

IECEX Dual certified Ex de IIC T6 IP66 or Ex tD A21 T6 IP66

ASSEMBLY SHOWN WITH OPTIONAL 3 PIECE UNION AND LAGGING EXTENSION THESE ITEMS DO NOT NEED CERTIFICATION AS FLAMEPATH ENDS AT NIPPLE ATTACHED TO ENCLOSURE.

IECEX Certificate of Conformance No : IECEX TSA 09.0044U
as a component

TEMPERATURE CONTROLS PTY LTD		QUALITY ENDORSED COMPANY Certificate No: QEC 14412 AS/NZS 9001:2008	
CONDITIONS THIS DRAWING IS OUR EXCLUSIVE PROPERTY AND MUST NOT BE COPIED OR HANDED TO ANY OTHER PARTIES WITH OUT WRITTEN PERMISSION. IT SHALL BE RETURNED UPON REQUEST	SYDNEY: 7 YAMMA ST SEFTON , NSW 2162 PHONE: (02) 9721 8644 FAX : (02) 9738 9339 MELBOURNE: 8/280 Whitehall St YARRAVILLE, VIC 3013 PHONE: (03) 9687 0000 FAX : (03) 9687 1900 BRISBANE: PO Box 5138 Alexandra Hills, QLD 4161 PHONE: 0418 222 868 FAX: (07) 3821 3693 EMAIL: sales@temperature.com.au		
	TITLE Ex d / Ex tD ELEMENT		
	SIZE : A4	DATE : 09/10/13	DWG NO : SD576
	SCALE : NTS	DRAWING BY R.B	REV : 05