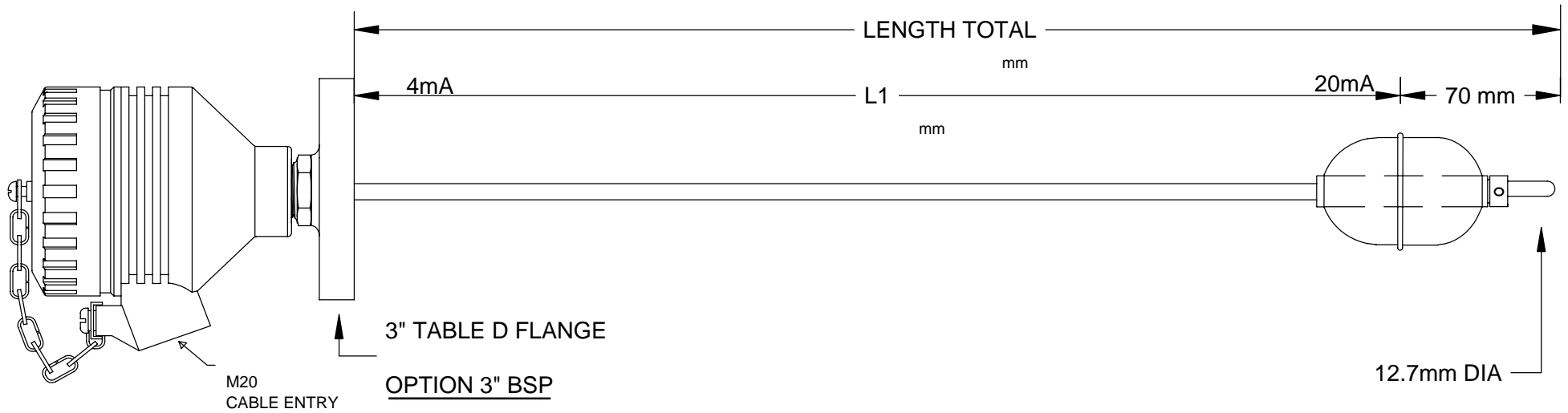
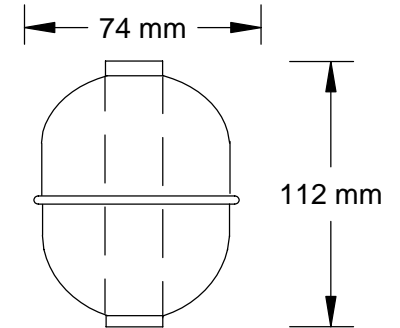


# CONTINUOUS LEVEL MEASUREMENT 4-20 mA OUTPUT



- CONTINUOUS LEVEL CONTROL
- RESISTIVE CHAIN INPUT TO INHEAD TRANSMITTER

## FLOAT DIMENSIONS



## PROCESS CAPABILITIES

- STAINLESS STEEL CONSTRUCTION
- MAXIMUM LENGTH
- SPECIAL FLANGES AND LENGTHS AVAILABLE
- SPECIFIC GRAVITY 0.55
- TEMPERATURE RATING 120°C MAXIMUM
- PRESSURE RATING :30 kg/cm<sup>2</sup> MAXIMUM
- VACUUM - 760 Hg (MAXIMUM)
- 74mm DIAMETER 316 STAINLESS STEEL FLOAT
- MINIMUM LENGTH 600mm - MAXIMUM LENGTH 1500mm

## TEMPERATURE CONTROLS PTY LTD

Certificate No: QEC 14412  
AS/NZS 9001:2000

### CONDITIONS

THIS DRAWING IS OUR EXCLUSIVE PROPERTY AND MUST NOT BE COPIED OR HANDED TO ANY OTHER PARTIES WITH OUT WRITTEN PERMISSION. IT SHALL BE RETURNED UPON REQUEST

SYDNEY : 7 YAMMA ST SEFTON , NSW 2162  
PHONE : (02) 9721 8644 FAX : (02) 9738 9339  
MELBOURNE : 8/280 Whitehall St  
YARRAVILLE VIC 3013  
PHONE : (03) 9687 0000 FAX : (03) 9687 1900  
EMAIL : sales@temperature.com.au



TITLE

SIZE : A4	DATE :14/08/07	DWG NO :SD 527
SCALE : NTS	DRAWING BY K.F	REV: 03