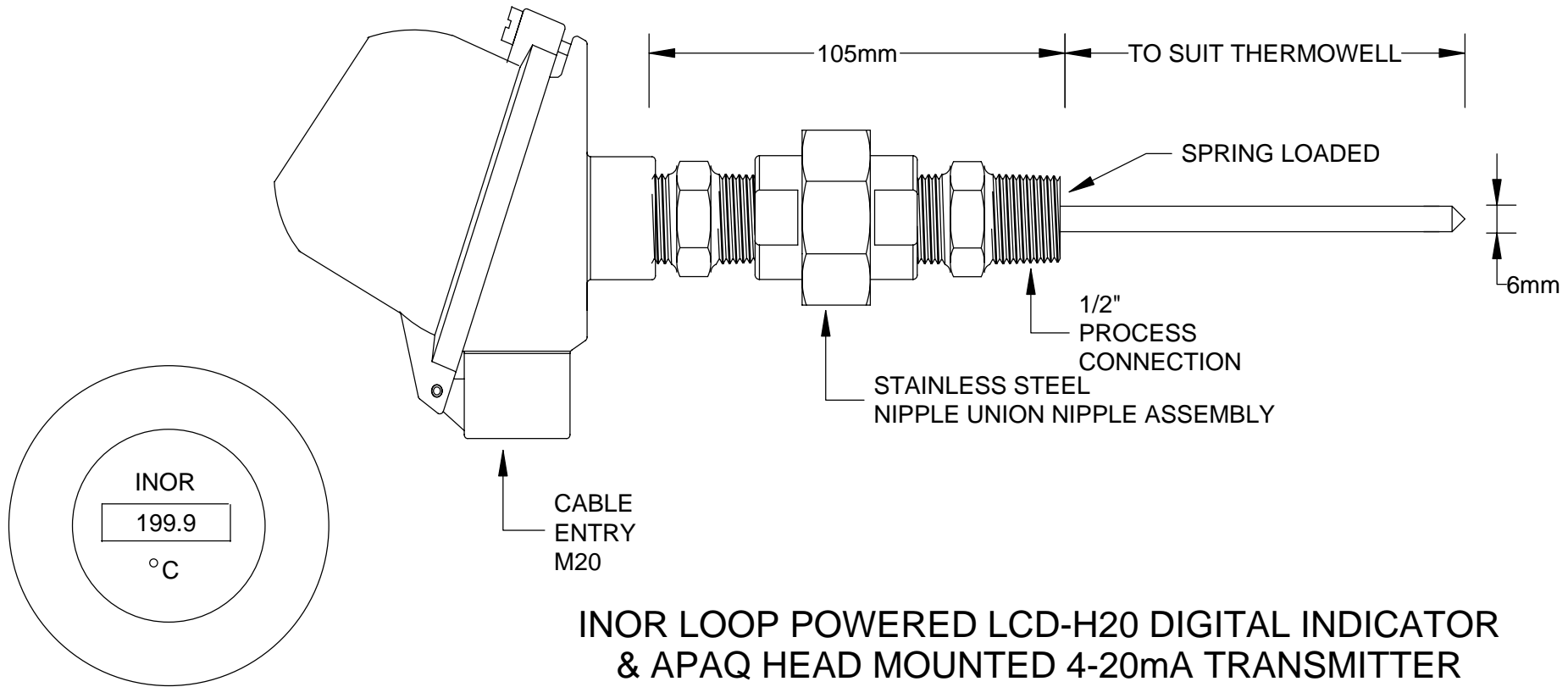


INOR DIGITAL DISPLAY WITH 4-20mA OUTPUT



INOR LOOP POWERED LCD-H20 DIGITAL INDICATOR & APAQ HEAD MOUNTED 4-20mA TRANSMITTER

- TYPE K THERMOCOUPLE
- TYPE J THERMOCOUPLE
- TYPE T THERMOCOUPLE
- TYPE N THERMOCOUPLE
- 3 WIRE RTD PT100
- 4 WIRE RTD PT100

**LARGE ALUMINIUM HEAD IP65
316 S/S NIPPLE / UNION / NIPPLE
SPRING LOADED ASSEMBLY.**

TEMPERATURE CONTROLS PTY LTD

Certificate No: QEC 14412
AS/NZS 9001:2000

CONDITIONS

THIS DRAWING IS OUR EXCLUSIVE PROPERTY AND MUST NOT BE COPIED OR HANDED TO ANY OTHER PARTIES WITH OUT WRITTEN PERMISSION. IT SHALL BE RETURNED UPON REQUEST

SYDNEY : 7 YAMMA ST SEFTON , NSW 2162
PHONE : (02) 9721 8644 FAX : (02) 9738 9339
MELBOURNE : 8/280 Whitehall St
YARRAVILLE VIC 3013
PHONE : (03) 9687 0000 FAX : (03) 9687 1900
EMAIL : sales@temperature.com.au



TITLE

SIZE : A4	DATE : 18/03/03	DWG NO : SD 449
SCALE : NTS	DRAWING BY M.E	REV : 00