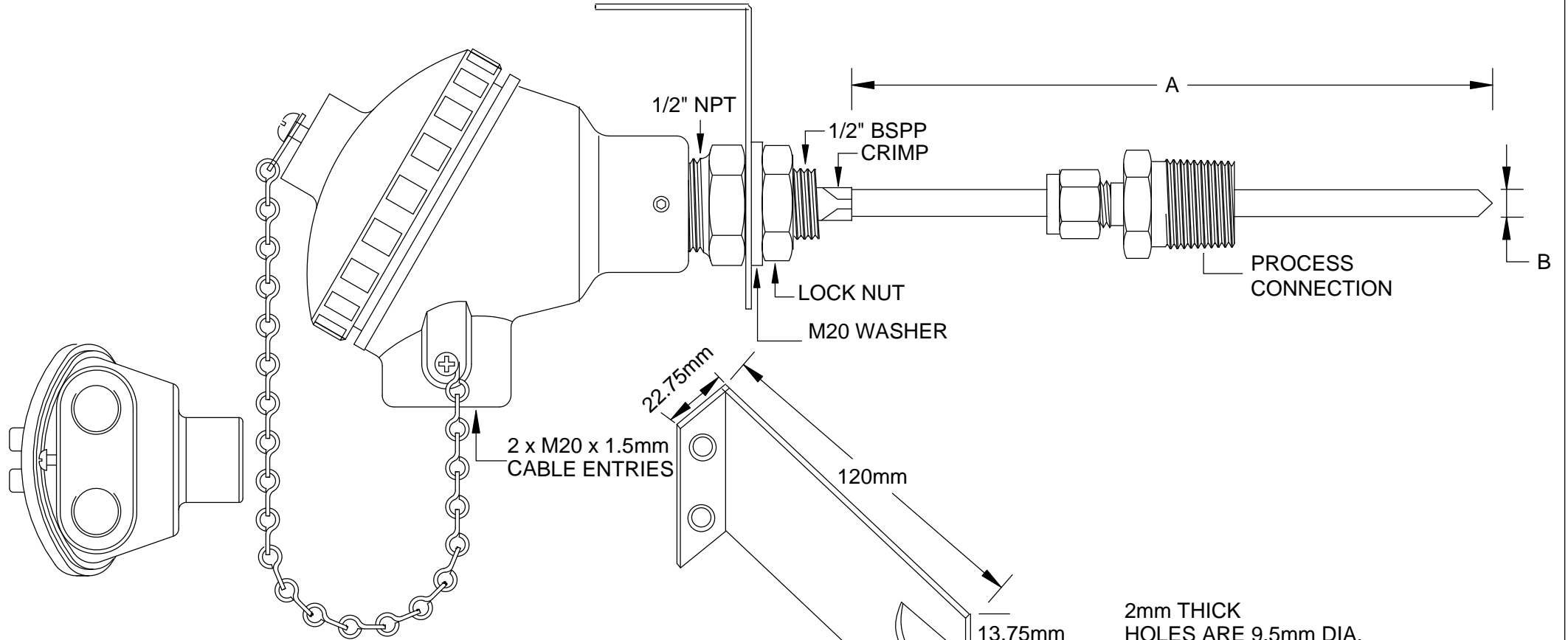


SS L BRACKET WITH 2 MOUNTING HOLES



2mm THICK
 HOLES ARE 9.5mm DIA,
 10.25mm FROM BOTTOM AND TOP EDGES
 = CENTRE OF HOLE
 8.25mm FROM SIDE EDGE
 = CENTRE OF HOLE

OPTION - Ex ia
 Compliance with ANSI AS/NZS 60079. 11.2006 Explosive Atmospheres,
 Intrinsic safety Ex ia (1047 RTD & TC)

- TYPE K THERMOCOUPLE
- TYPE N THERMOCOUPLE
- TYPE J THERMOCOUPLE
- TYPE T THERMOCOUPLE
- RTD PT100
- 3 WIRE RTD PT100
- 4 WIRE RTD PT100

**DUAL ENTRY ALUMINIUM
 TERMINAL HEAD IP65
 C\W FIXED STAINLESS
 STEEL FITTING**

TEMPERATURE CONTROLS PTY LTD Certificate No: QEC 14412
 AS/NZS 9001:2000

CONDITIONS
 THIS DRAWING IS OUR
 EXCLUSIVE PROPERTY
 AND MUST NOT BE
 COPIED OR HANDED
 TO ANY OTHER PARTIES
 WITH OUT WRITTEN
 PERMISSION. IT SHALL
 BE RETURNED UPON
 REQUEST

SYDNEY : 7 YAMMA ST SEFTON , NSW 2162
 PHONE : (02) 9721 8644 FAX : (02) 9738 9339
 MELBOURNE : 8/280 Whitehall St
 YARRAVILLE VIC 3013
 PHONE : (03) 9687 0000 FAX : (03) 9687 1900
 EMAIL : sales@temperature.com.au



TITLE		
SIZE : A4	DATE : 21/04/10	DWG NO : SD 392D
SCALE : NTS	DRAWING BY R.B	REV : 00