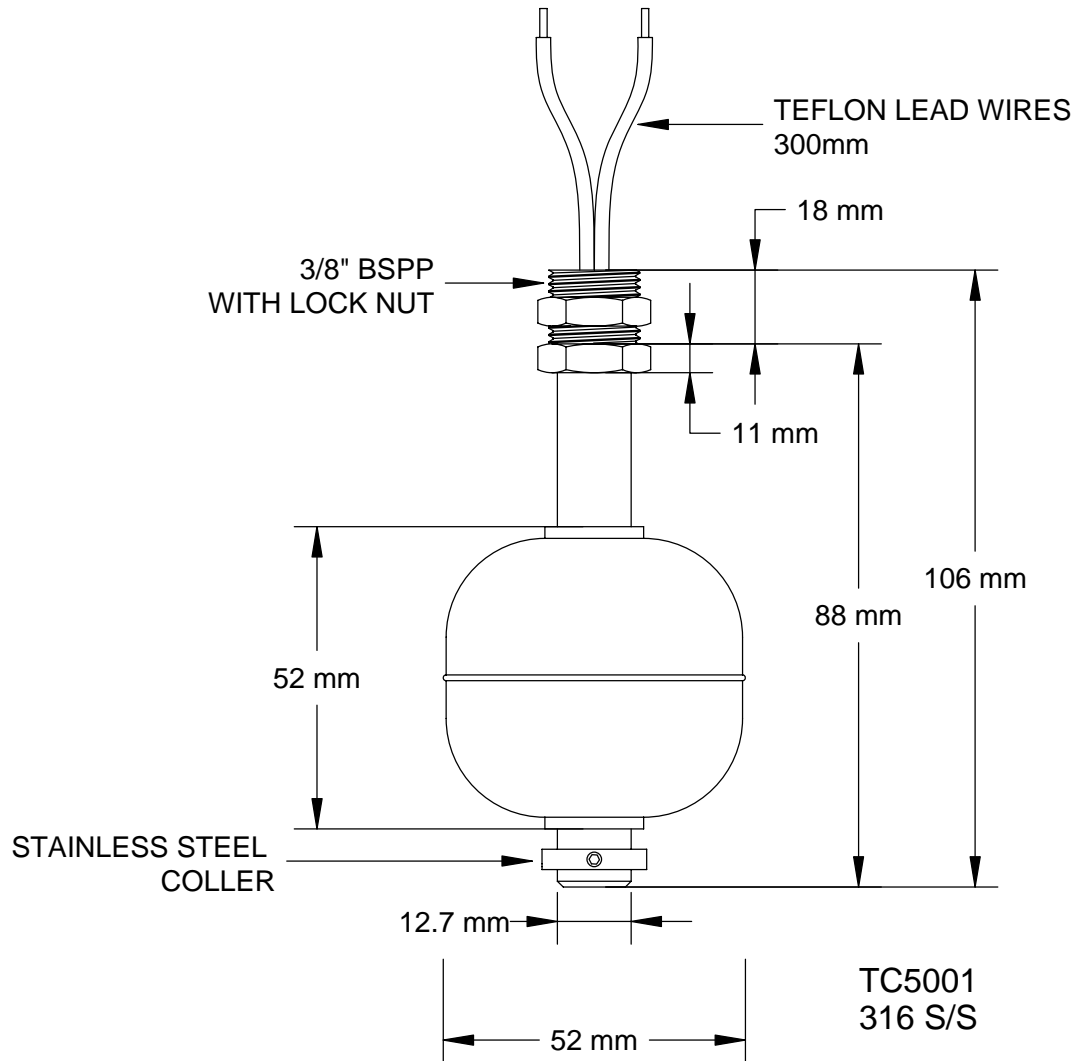



- STANDARD - NO or NC CONTACT RATED AT 32V AC/DC @ 500mA RESISTIVE LOAD
- OPTION CHANGE OVER CONTACTS RATED AT 32V AC/DC @ 250mA RESISTIVE LOAD



TC5001
316 S/S

PROCESS CAPABILITIES

- STAINLESS STEEL CONSTRUCTION
- SPECIAL THREADS AND LENGTHS AVAILABLE
- SPECIFIC GRAVITY 0.55
- TEMPERATURE RATING 120'C MAXIMUM
- PRESSURE RATING :30 kg/cm2 MAXIMUM
- 52mm DIAMETER 316 STAINLESS STEEL FLOAT

TEMPERATURE CONTROLS PTY LTD		Certificate No:QEC 14412 ISO 9001
CONDITIONS THIS DRAWING IS OUR EXCLUSIVE PROPERTY AND MUST NOT BE COPIED OR HANDED TO ANY OTHER PARTIES WITH OUT WRITTEN PERMISSION. IT SHALL BE RETURNED UPON REQUEST	SYDNEY : 7 YAMMA ST SEFTON , NSW 2162 PHONE : (02) 9721 8644 FAX : (02) 9738 9339 MELBOURNE : 8/280 WHITEHALL STREET YARRAVILLE VIC 3013 PHONE : (03) 9687 0000 FAX : (03) 96871900 EMAIL : sales@temperature.com.au	
		
TITLE		
SIZE : A4	DATE : 2/11/08	DWG NO : SD 348
SCALE : NTS	DRAWING BY JP	REV : 02