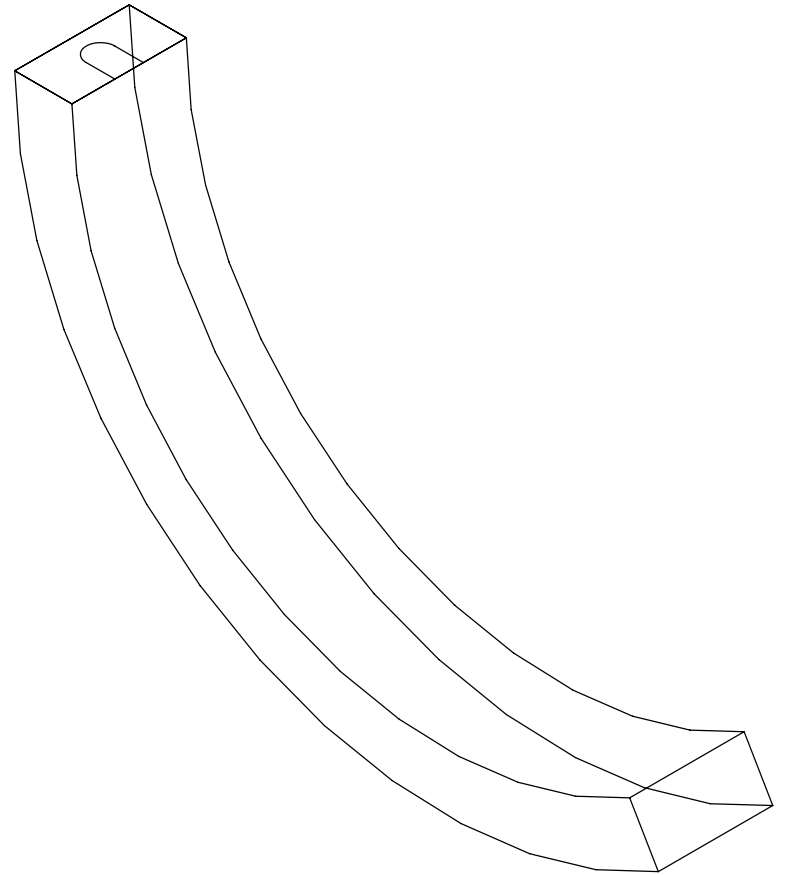
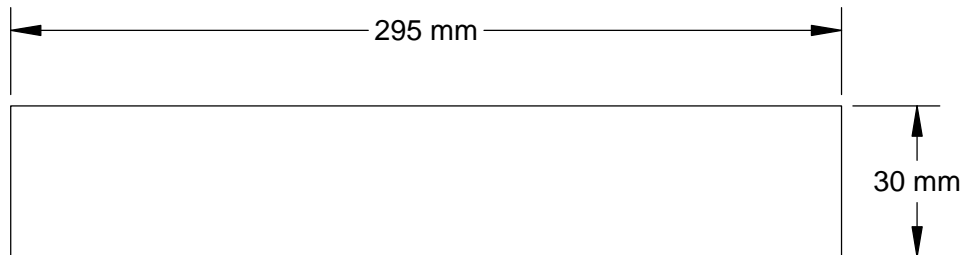
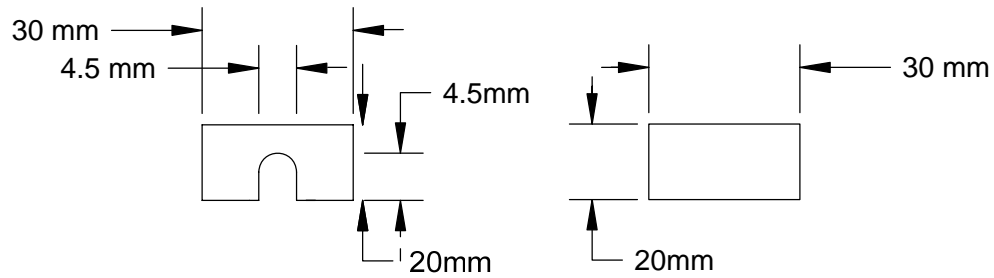
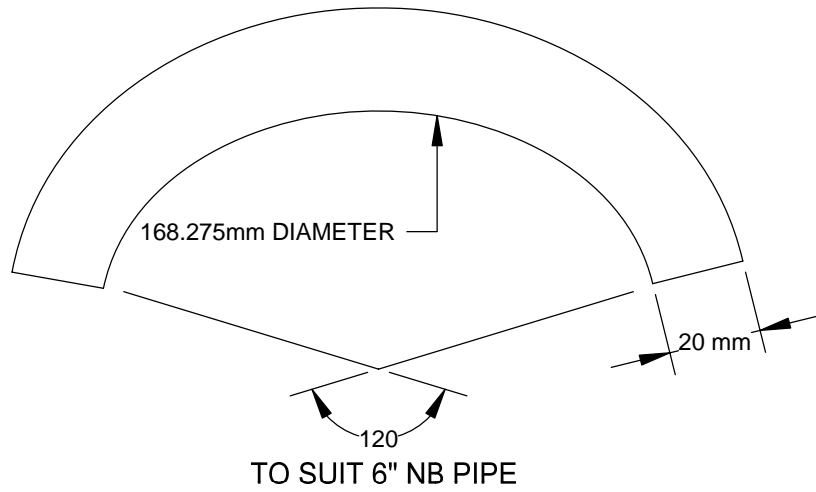



# HEAT SHROUD 253 mA



<b>TEMPERATURE CONTROLS PTY LTD</b>		Certificate No: QEC 14412 AS/NZS 9001:2000
<b>CONDITIONS</b> THIS DRAWING IS OUR EXCLUSIVE PROPERTY AND MUST NOT BE COPIED OR HANDED TO ANY OTHER PARTIES WITH OUT WRITTEN PERMISSION. IT SHALL BE RETURNED UPON REQUEST	SYDNEY : 7 YAMMA ST SEFTON , NSW 2162 PHONE : (02) 9721 8644 FAX : (02) 9738 9339 MELBOURNE : UNIT 8 / 280 WHITEHALL ST YARRAVILLE VIC 3013 PHONE : (03) 9687 0000 FAX : (03) 9687 1900 EMAIL : sales@temperature.com.au	
	 Quality ISO 9001 SAI GLOBAL	
	TITLE	
	SIZE : A4	DATE : 5/08/03
SCALE : NTS	DRAWING BY R.M	<b>REV : 00</b>