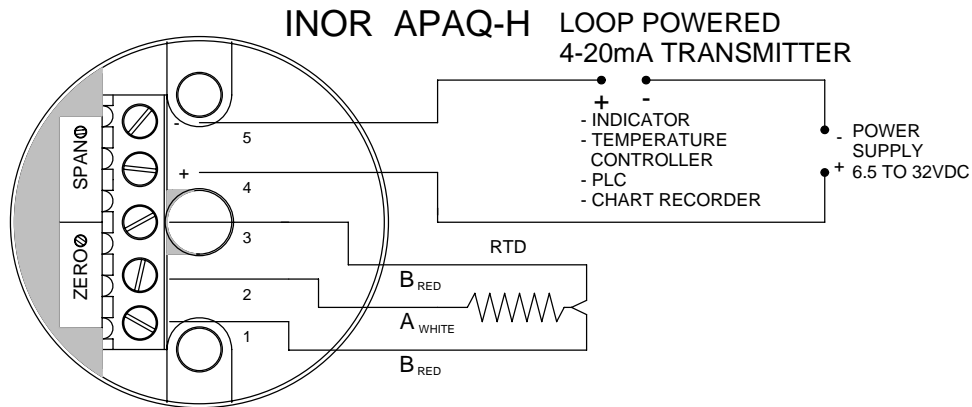


65mm deep



**RTD PT100 AND TRANSMITTER
INDUSTRIAL AIR SENSOR ASSEMBLY IP65
4-20mA
POLYCARBONATE CASE RATED TO 125°C**

TEMPERATURE CONTROLS PTY LTD

Certificate No: QEC 14412
AS/NZS 9001:2000

CONDITIONS

THIS DRAWING IS OUR EXCLUSIVE PROPERTY AND MUST NOT BE COPIED OR HANDED TO ANY OTHER PARTIES WITH OUT WRITTEN PERMISSION. IT SHALL BE RETURNED UPON REQUEST

SYDNEY : 7 YAMMA ST SEFTON , NSW 2162
PHONE : (02) 9721 8644 FAX : (02) 9738 9339
MELBOURNE : 8/280 Whitehall St
YARRAVILLE VIC 3013
PHONE : (03) 9687 0000 FAX : (03) 9687 1900
EMAIL : sales@temperature.com.au



TITLE

| | | |
|-------------|-----------------|-----------------------|
| SIZE : A4 | DATE : 01/03/11 | DWG NO :SD 234 |
| SCALE : NTS | DRAWING BY R.B | REV : 03 |