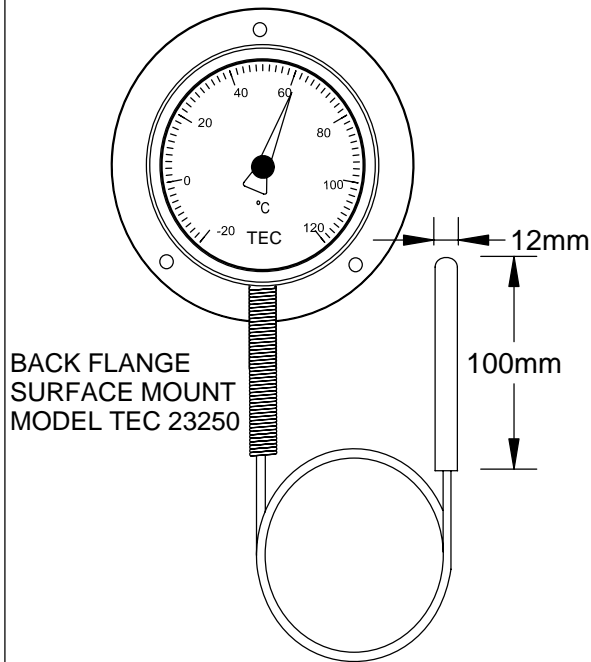
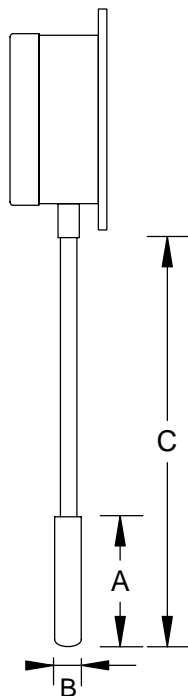


TEC GAS FILLED THERMOMETER



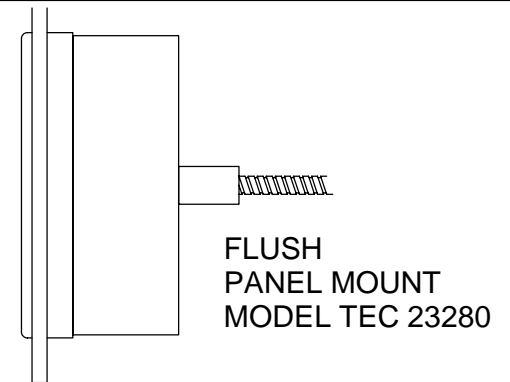
BACK FLANGE
SURFACE MOUNT
MODEL TEC 23250



Model: TEC 23250 all stainless steel
 Dial: Ø 100mm in AISI-304 stainless steel
 Mounting: Back flange and bottom entry
 Capillary: 3 metres SS- No fitting
 Stem: 100 x Ø 12mm in AISI-316 stainless steel
 Protection: IP65
 Filling: Gas – linear temperature scale
 Stock Ranges: -20 + 120 °C, 0 – 250 °C, 0 - 600 °C

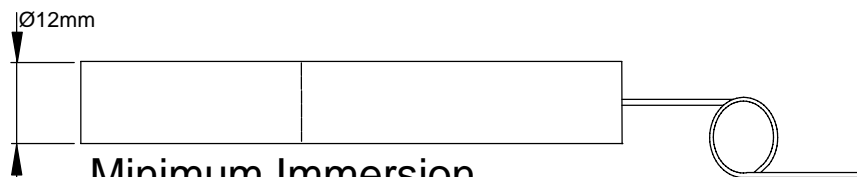
- [] Model TEC 23250 100mm Ø dial surface mounted
- [] Model TEC 23280 100mm dial Flush panel mount
- [] Model TEC 23255 160mm Ø dial surface mounted

Specify
 [] temperature range
 [] (meters) stainless steel capillary
 [] fitting (if required)



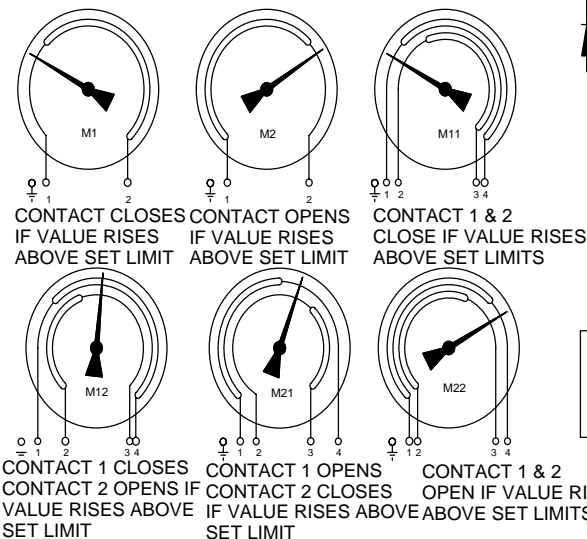
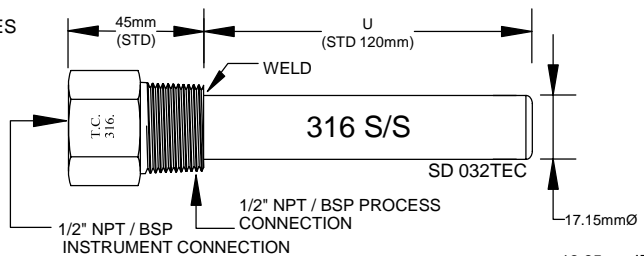
FLUSH
PANEL MOUNT
MODEL TEC 23280

- Options:
 [] Fit with single contact M1 or M2 specify
 [] Fit with double contact M11, M12, M21, M22
- Option:
 [] (meters) stainless steel armour
 [] ½" BSP/NPT SS compression fitting on stem
 [] ½" BSP/NPT SS compression fitting on capillary
 [] other



Minimum Immersion

SITUATION A: Range -20 - 120 °C, (25mm)
 B: 0 - 250 °C (36mm)
 C: 0 - 600 °C (36mm)



M1 CONTACT CLOSURES IF VALUE RISES ABOVE SET LIMIT
 M2 CONTACT OPENS IF VALUE RISES ABOVE SET LIMIT
 M11 CONTACT 1 & 2 CLOSE IF VALUE RISES ABOVE SET LIMITS

M12 CONTACT 1 CLOSURES CONTACT 2 OPENS IF VALUE RISES ABOVE SET LIMIT
 M21 CONTACT 1 OPENS CONTACT 2 CLOSURES IF VALUE RISES ABOVE SET LIMIT
 M22 CONTACT 1 & 2 OPEN IF VALUE RISES ABOVE SET LIMITS

OPTION AT ADDITIONAL COST

- 316 STAINLESS STEEL FITTING
- ON THE STEM
- ON THE CAPILLARY
- ON CAPILLARY & SPRING LOADED FOR THERMOWELL

TEMPERATURE CONTROLS PTY LTD

Certificate No: QEC 14412
 ISO 9001:2008

CONDITIONS

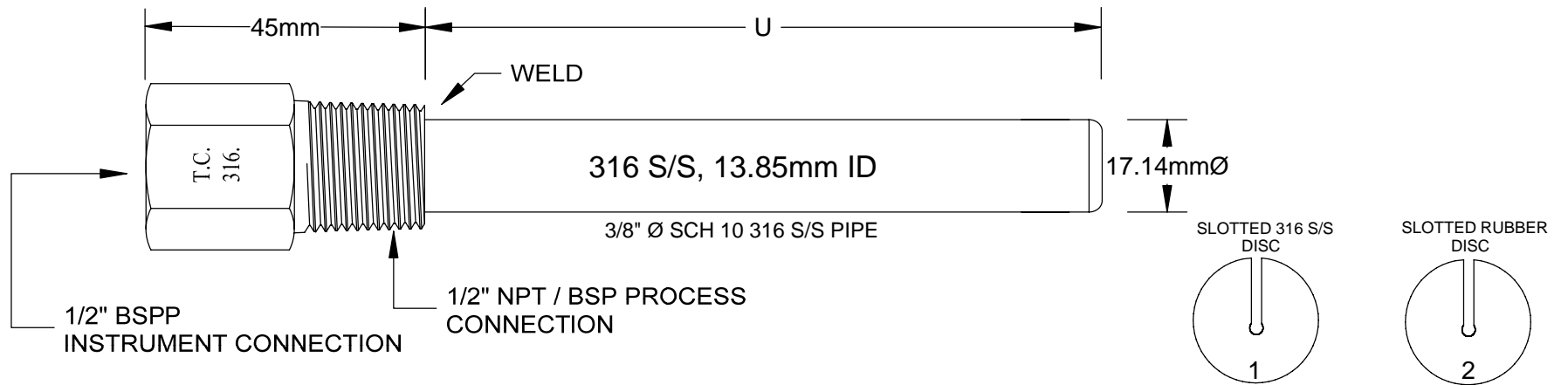
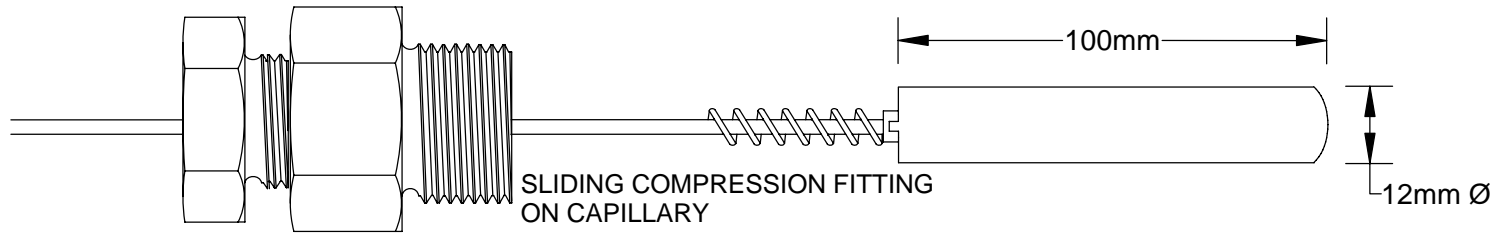
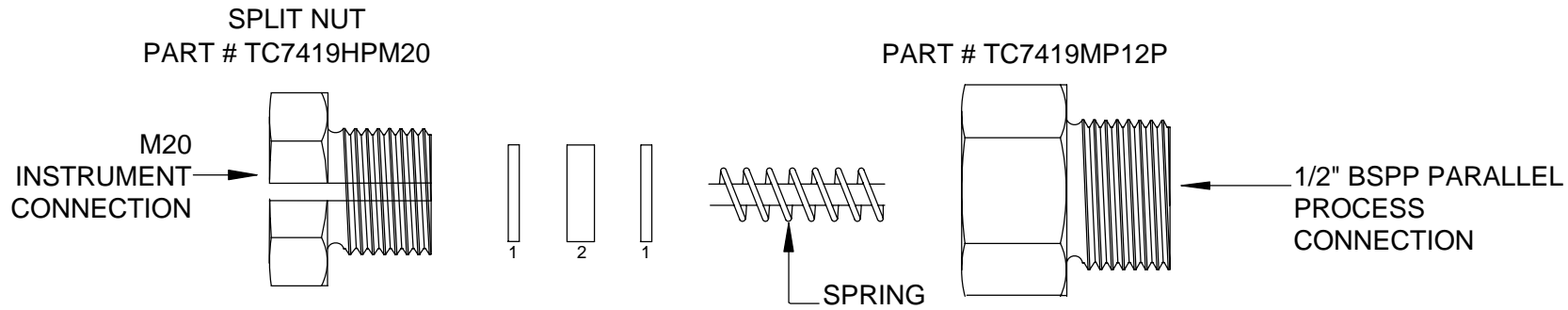
THIS DRAWING IS OUR EXCLUSIVE PROPERTY AND MUST NOT BE COPIED OR HANDED TO ANY OTHER PARTIES WITH OUT WRITTEN PERMISSION. IT SHALL BE RETURNED UPON REQUEST

SYDNEY : 7 YAMMA ST SEFTON , NSW 2162
 PHONE : (02) 9721 8644 FAX : (02) 9738 9339
 MELBOURNE : 8/280 Whitehall St
 YARRAVILLE VIC 3013
 PHONE : (03) 9687 0000 FAX : (03) 9687 1900
 EMAIL : sales@temperature.com.au



TITLE

SIZE : A4	DATE : 04/04/12	DWG NO : SD 140 TEC
SCALE : NTS	DRAWING BY R.B	REV : 03



**COMPRESSION FITTING ASSEMBLY
SPRING LOADED ON CAPILLARY
WITH THERMOWELL**

TEMPERATURE CONTROLS PTY LTD

Certificate No: QEC 14412
AS/NZS 9001:2000

CONDITIONS

THIS DRAWING IS OUR EXCLUSIVE PROPERTY AND MUST NOT BE COPIED OR HANDED TO ANY OTHER PARTIES WITH OUT WRITTEN PERMISSION. IT SHALL BE RETURNED UPON REQUEST

SYDNEY : 7 YAMMA ST SEFTON , NSW 2162
PHONE : (02) 9721 8644 FAX : (02) 9738 9339
MELBOURNE : 8/280 Whitehall St
YARRAVILLE VIC 3013
PHONE : (03) 9687 0000 FAX : (03) 9687 1900
EMAIL : sales@temperature.com.au



TITLE

SIZE : A4

DATE : 11/04/12

DWG NO : SD 1002

SCALE : NTS

DRAWING BY R.B

REV : 00