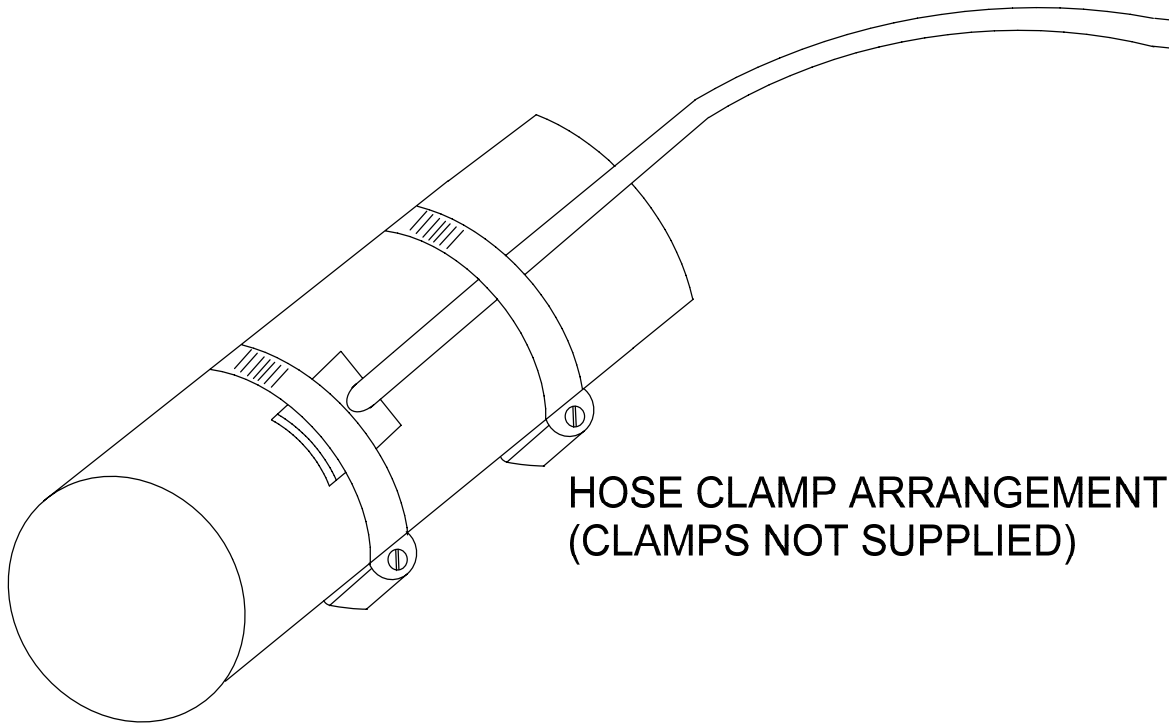
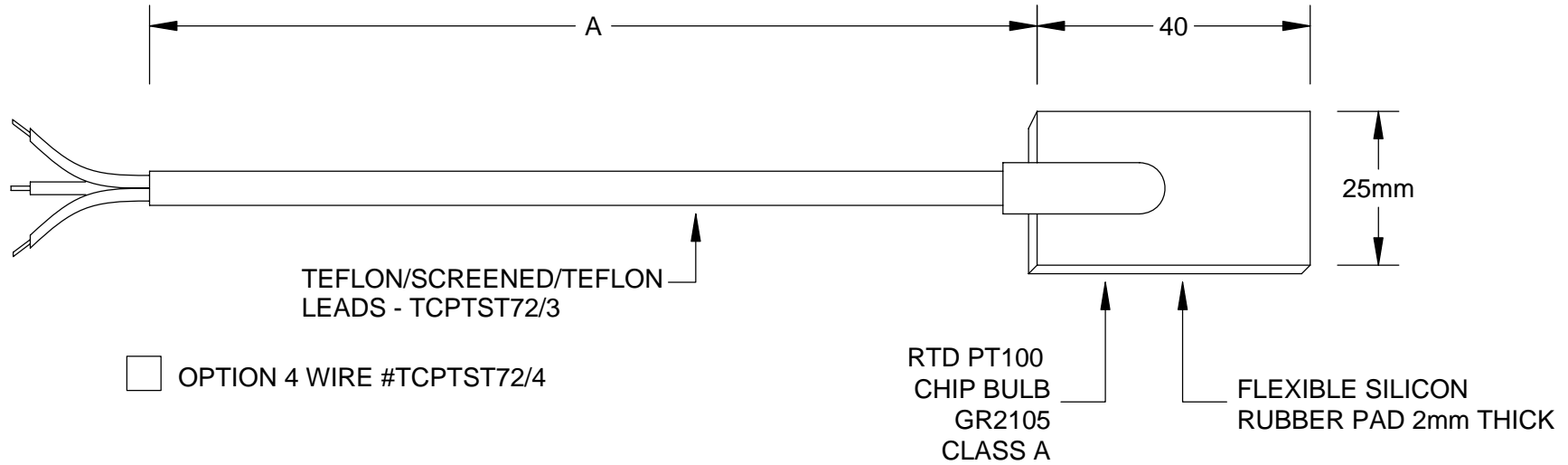


SURFACE RTD SUITABLE FOR TEMPERATURES UP TO 175 DEG C



3 wire RTD sensor, PT100 OHM, DIN 43760 - IEC 751 Class A,
 Silicone rubber pad 40mm long x 20mm wide x 2mm thick
 As per drawing SD 125
 A = 2,000mm Teflon lead wire Ex stock
 A = 5,000mm Teflon lead wire Ex stock
 A = 10,000mm Teflon lead wire Ex stock

OPTION - Ex ia
 Compliance with ANSI AS/NZS 60079. 11.2006 Explosive Atmospheres,
 Intrinsic safety Ex ia (1047 RTD & TC)

TEMPERATURE CONTROLS PTY LTD		Certificate No: QEC 14412 AS/NZS 9001:2000
<p>CONDITIONS</p> <p>THIS DRAWING IS OUR EXCLUSIVE PROPERTY AND MUST NOT BE COPIED OR HANDED TO ANY OTHER PARTIES WITH OUT WRITTEN PERMISSION. IT SHALL BE RETURNED UPON REQUEST</p>	SYDNEY : 7 YAMMA ST SEFTON , NSW 2162 PHONE : (02) 9721 8644 FAX : (02) 9738 9339 MELBOURNE : 8/280 Whitehall St YARRAVILLE VIC 3013 PHONE : (03) 9687 0000 FAX : (03) 9687 1900 EMAIL : sales@temperature.com.au	
	TITLE	
SIZE : A4	DATE : 12/12/12	DWG NO : SD 125
SCALE : NTS	DRAWING BY R.B	REV : 05

