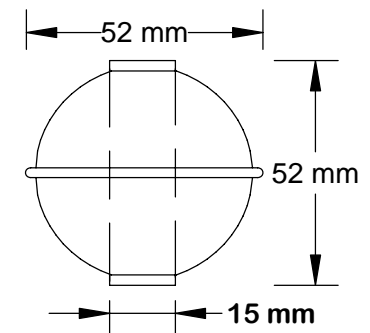


NOTE : MINIMUM DISTANCE BETWEEN FLOATS IS 75mm

FLOAT DIMENSIONS



STANDARD - NO or NC CONTACT RATED AT 32V AC/DC @ 500mA RESISTIVE LOAD

OPTION - NO or NC CONTACT RATED AT 250V AC/DC @ 500mA RESISTIVE LOAD

INDIVIDUALLY WIRED CONTACTS COMMON WIRED CONTACTS

CHANGE OVER CONTACTS AVAILABLE UPON REQUEST

TEMPERATURE CONTROLS PTY LTD		Certificate No: QEC 14412 AS/NZS 9001:2000
CONDITIONS THIS DRAWING IS OUR EXCLUSIVE PROPERTY AND MUST NOT BE COPIED OR HANDED TO ANY OTHER PARTIES WITH OUT WRITTEN PERMISSION. IT SHALL BE RETURNED UPON REQUEST		SYDNEY : 7 YAMMA ST SEFTON , NSW 2162 PHONE : (02) 9721 8644 FAX : (02) 9738 9339 MELBOURNE : 8/280 WHITEHALL ST YARRAVILLE VIC 3013 PHONE : (03) 9687 0000 FAX : (03) 9687 1900 EMAIL : sales@temperature.com.au
TITLE		
SIZE : A4	DATE : 17/08/12	DWG NO :SD 090N/D
SCALE : NTS	DRAWING BY R.B	REV : 00