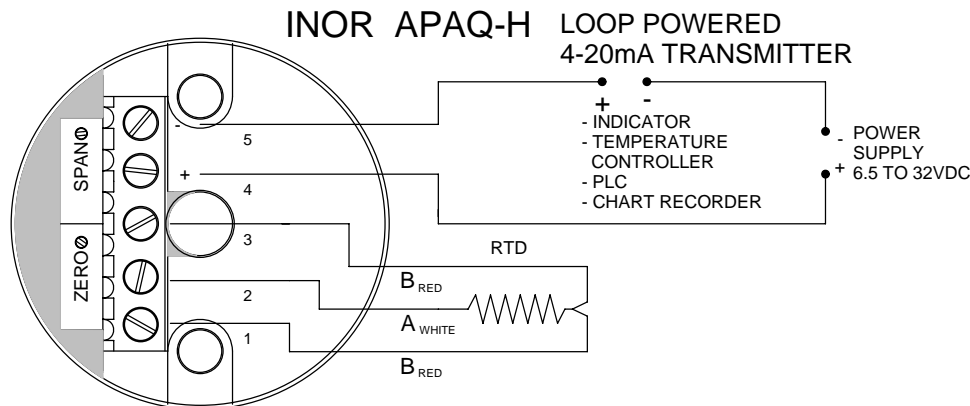


**END SEALED FOR DAMP ENVIRONMENTS**

**RTD PT100 AND TRANSMITTER  
CLASS A 3 WIRE  
INDUSTRIAL AIR SENSOR  
PART NO. TC11PIND (IP66)  
POLYCARBONATE CASE RATED TO 125°C**



**TEMPERATURE CONTROLS PTY LTD**

QUALITY ENDORSED COMPANY  
Certificate No: QEC 14412  
AS/NZS 9001:2008

**CONDITIONS**

THIS DRAWING IS OUR EXCLUSIVE PROPERTY AND MUST NOT BE COPIED OR HANDED TO ANY OTHER PARTIES WITH OUT WRITTEN PERMISSION. IT SHALL BE RETURNED UPON REQUEST

SYDNEY: 7 YAMMA ST SEFTON NSW 2162  
PHONE: (02) 9721 8644 FAX: (02) 9738 9339  
MELBOURNE: 8/280 WHITEHALL ST YARRAVILLE VIC 3013  
PHONE: (03) 9687 0000 FAX: (03) 9687 1900  
BRISBANE: 28A/125 KERRY RD ARCHERFIELD QLD 4108  
PHONE: (07) 3373 8424 FAX: (07) 3373 8067  
EMAIL: sales@temperature.com.au

TITLE		
SIZE : A4	DATE : 14/01/16	<b>DWG NO :SD 078NHTx</b>
SCALE : NTS	DRAWING BY R.B	<b>REV : 02</b>