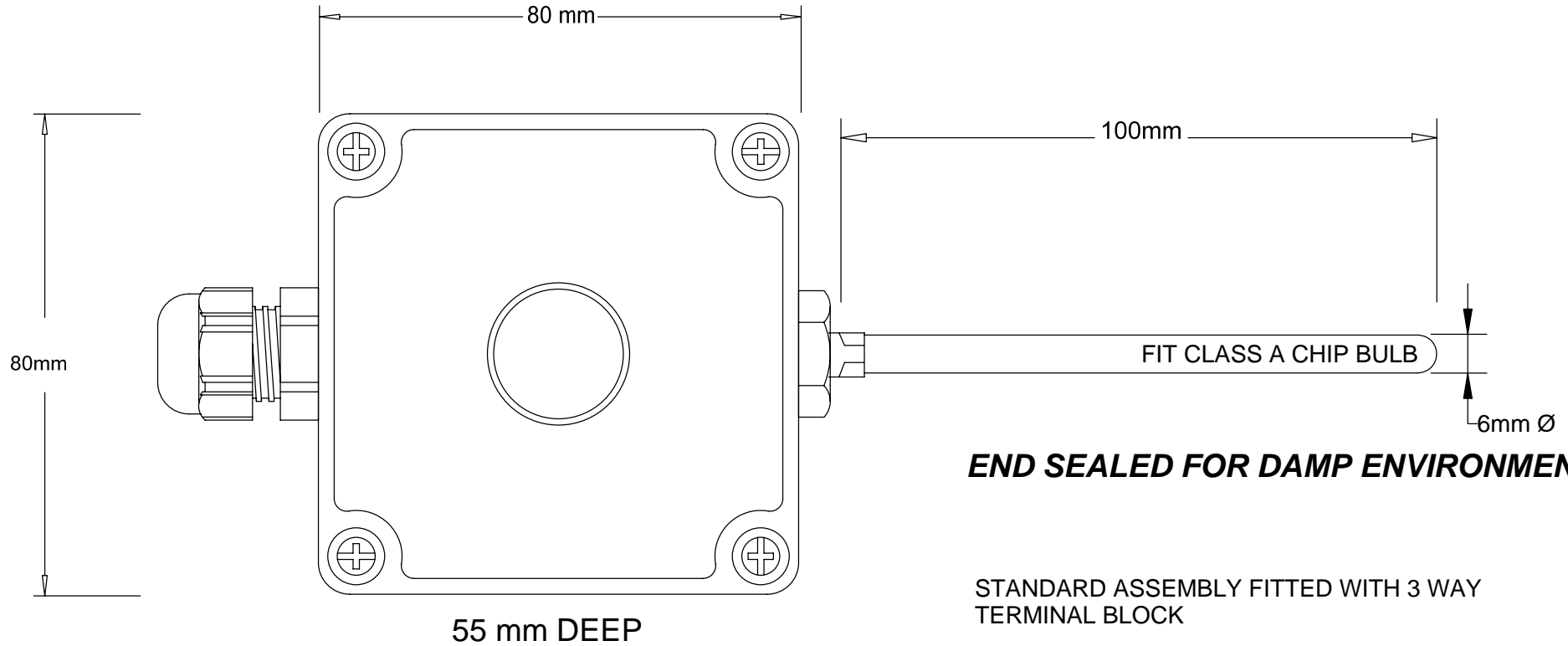


# # TC11PINDNH



RTD PT100 CLASS A 3 WIRE  
INDUSTRIAL AIR SENSOR  
PART NO. TC11PINDNH (IP66)  
POLYCARBONATE CASE RATED TO 125°C

## TEMPERATURE CONTROLS PTY LTD

QUALITY ENDORSED COMPANY  
Certificate No: QEC 14412  
AS/NZS 9001:2008

### CONDITIONS

THIS DRAWING IS OUR  
EXCLUSIVE PROPERTY  
AND MUST NOT BE  
COPIED OR HANDED  
TO ANY OTHER PARTIES  
WITH OUT WRITTEN  
PERMISSION. IT SHALL  
BE RETURNED UPON  
REQUEST

SYDNEY: 7 YAMMA ST SEFTON NSW 2162  
PHONE: (02) 9721 8644 FAX: (02) 9738 9339  
MELBOURNE: 8/280 WHITEHALL ST YARRAVILLE VIC 3013  
PHONE: (03) 9687 0000 FAX: (03) 9687 1900  
BRISBANE: 28A/125 KERRY RD ARCHERFIELD QLD 4108  
PHONE: (07) 3373 8424 FAX: (07) 3373 8067  
EMAIL: sales@temperature.com.au

TITLE

SIZE : A4

DATE : 14/01/16

**DWG NO :SD 078NH**

SCALE : NTS

DRAWING BY R.B

**REV : 05**