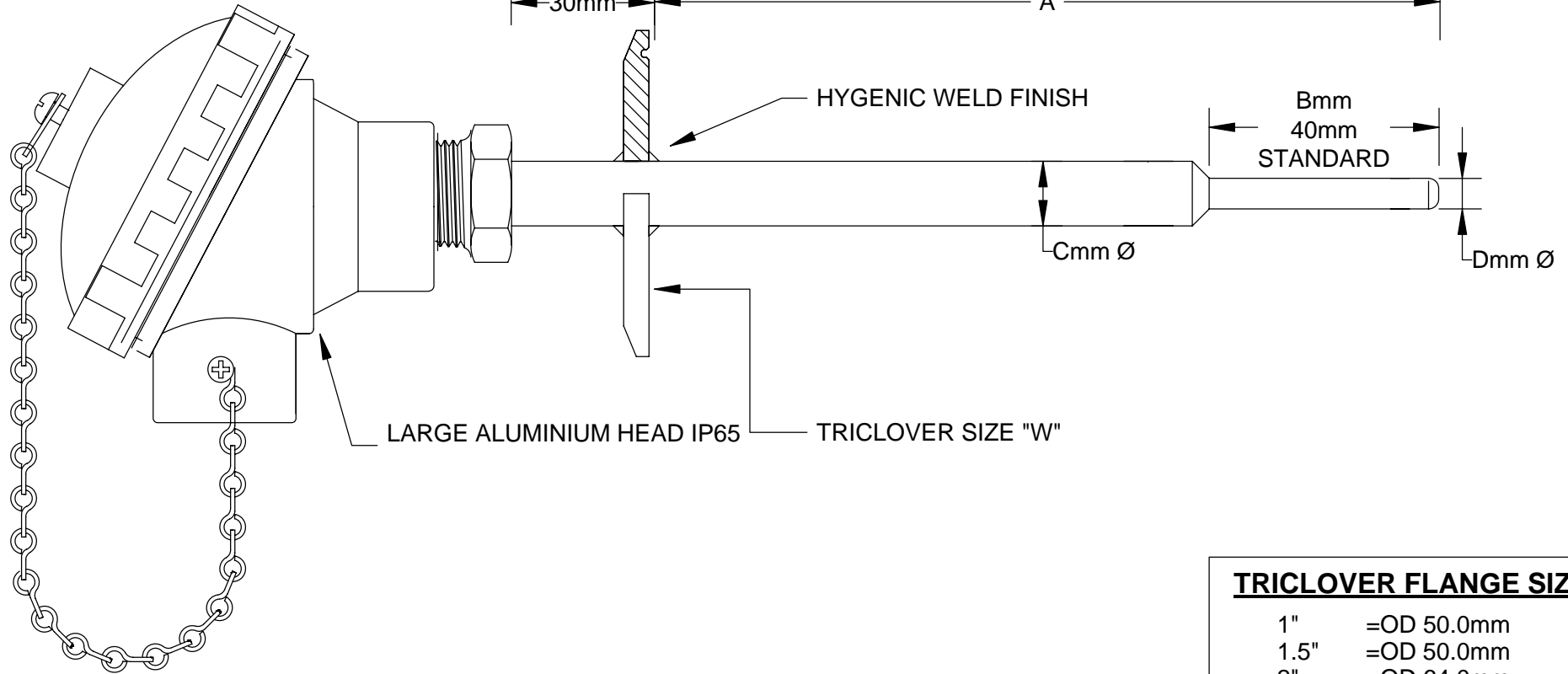


CAST ALUMINIUM HEAD IP65



LARGE ALUMINIUM HEAD IP65 TRICLOVER SIZE "W"

TRICLOVER FLANGE SIZES	
1"	=OD 50.0mm
1.5"	=OD 50.0mm
2"	=OD 64.0mm
2.5"	=OD 77.0mm
3"	=OD 91.0mm
4"	=OD 119.0mm

□ STANDARD FINISH RA 0.8

**3 WIRE CLASS A RTD PT100  
TRICLOVER REDUCED TIP  
DIN 43760-IEC 751 ALPHA 0.00385**

DIMENSION TABLE	
A	
B	40mm
C	12.7mm
D	6mm
W	

TEMPERATURE CONTROLS PTY LTD		QUALITY ENDORSED COMPANY Certificate No: QEC 14412 AS/NZS 9001:2008
<p><b>CONDITIONS</b></p> <p>THIS DRAWING IS OUR EXCLUSIVE PROPERTY AND MUST NOT BE COPIED OR HANDED TO ANY OTHER PARTIES WITH OUT WRITTEN PERMISSION. IT SHALL BE RETURNED UPON REQUEST</p>		<p>SYDNEY: 7 YAMMA ST SEFTON NSW 2162 PHONE: (02) 9721 8644 FAX: (02) 9738 9339 MELBOURNE: 8/280 WHITEHALL ST YARRAVILLE VIC 3013 PHONE: (03) 9687 0000 FAX: (03) 9687 1900 BRISBANE: 28A/125 KERRY RD ARCHERFIELD QLD 4108 PHONE: (07) 3373 8424 FAX: (07) 3373 8067 EMAIL: sales@temperature.com.au</p>
TITLE		
SIZE : A4	DATE : 08/02/16	<b>DWG NO : SD 041</b>
SCALE : NTS	DRAWING BY R.B	<b>REV : 04</b>