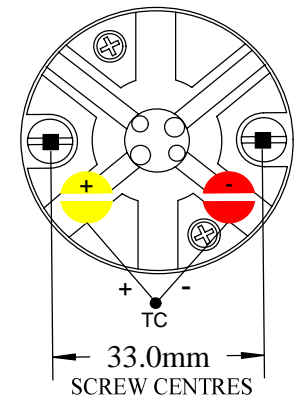
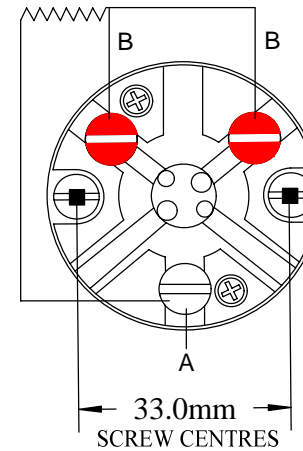
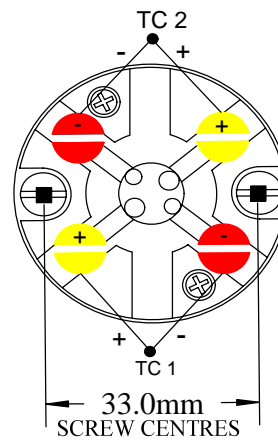
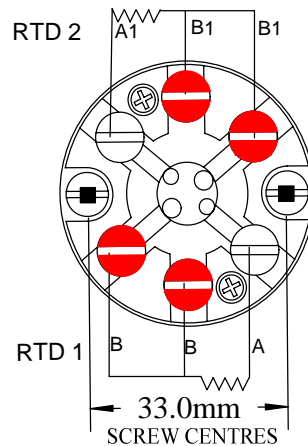


COLOUR CODE: RTD  
 PAINT SCREW A = WHITE  
 PAINT SCREW B = RED

COLOUR CODE: THERMOCOUPLE (K)  
 PAINT SCREW + = YELLOW  
 PAINT SCREW - = RED

- SINGLE     DUPLEX
- TYPE K THERMOCOUPLE
- TYPE J THERMOCOUPLE
- TYPE T THERMOCOUPLE
- TYPE N THERMOCOUPLE
- 3 WIRE RTD PT100
- 4 WIRE RTD PT100
- CLASS B
- CLASS A
- BAND 5 (1/10 DIN)



## DIN SIZE CERAMIC BLOCK SPRING LOADED SENSOR

### TEMPERATURE CONTROLS PTY LTD

Certificate No: QEC 14412  
 ISO 9001:2008

#### CONDITIONS

THIS DRAWING IS OUR EXCLUSIVE PROPERTY AND MUST NOT BE COPIED OR HANDED TO ANY OTHER PARTIES WITH OUT WRITTEN PERMISSION. IT SHALL BE RETURNED UPON REQUEST

SYDNEY : 7 YAMMA ST SEFTON , NSW 2162  
 PHONE : (02) 9721 8644 FAX : (02) 9738 9339  
 MELBOURNE : 8/280 Whitehall St  
 YARRAVILLE VIC 3013  
 PHONE : (03) 9687 0000 FAX : (03) 9687 1900  
 EMAIL : sales@temperature.com.au



TITLE

SIZE : A4	DATE : 23/07/09	<b>DWG NO : SD 027</b>
SCALE : NTS	DRAWING BY K.F	<b>REV : 03</b>