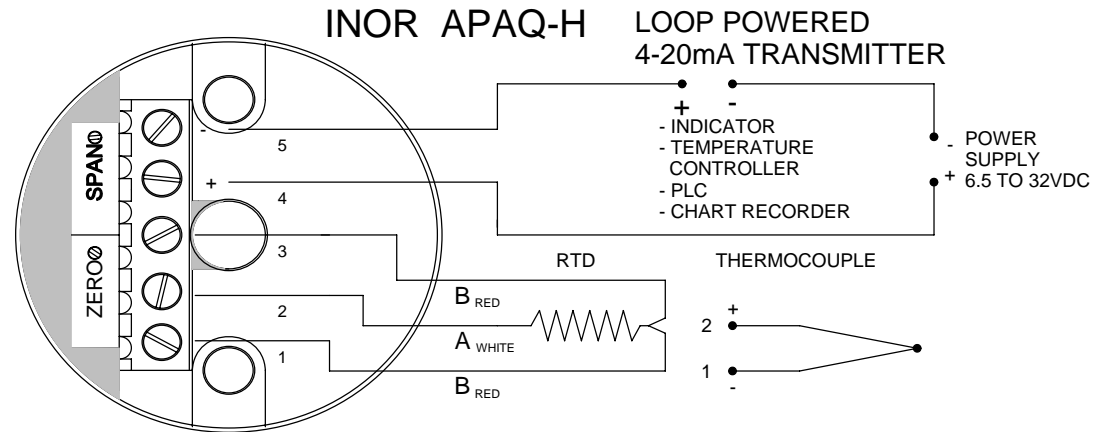


- TYPE K THERMOCOUPLE
- TYPE J THERMOCOUPLE
- TYPE T THERMOCOUPLE
- TYPE N THERMOCOUPLE
- 3 WIRE RTD PT100
- 4 WIRE RTD PT100
- OPTION - Ex ia

Compliance with ANSI AS/NZS 60079. 11.2006 Explosive Atmospheres, Intrinsic safety Ex ia (1047 RTD & TC)

**LARGE CAST ALUMINIUM HEAD IP65
BAR STOCK PARALLEL
DESIGN THERMOWELL**



TEMPERATURE CONTROLS PTY LTD

Certificate No: QEC 14412
AS/NZS 9001:2000

CONDITIONS

THIS DRAWING IS OUR EXCLUSIVE PROPERTY AND MUST NOT BE COPIED OR HANDED TO ANY OTHER PARTIES WITH OUT WRITTEN PERMISSION. IT SHALL BE RETURNED UPON REQUEST

SYDNEY : 7 YAMMA ST SEFTON , NSW 2162
PHONE : (02) 9721 8644 FAX : (02) 9738 9339
MELBOURNE : 8/280 Whitehall St
YARRAVILLE VIC 3013
PHONE : (03) 9687 0000 FAX : (03) 9687 1900
EMAIL : sales@temperature.com.au



TITLE

| | | |
|-------------|----------------|---------------------------|
| SIZE : A4 | DATE : 3/05/11 | DWG NO : SD 024PTx |
| SCALE : NTS | DRAWING BY R.B | REV : 01 |