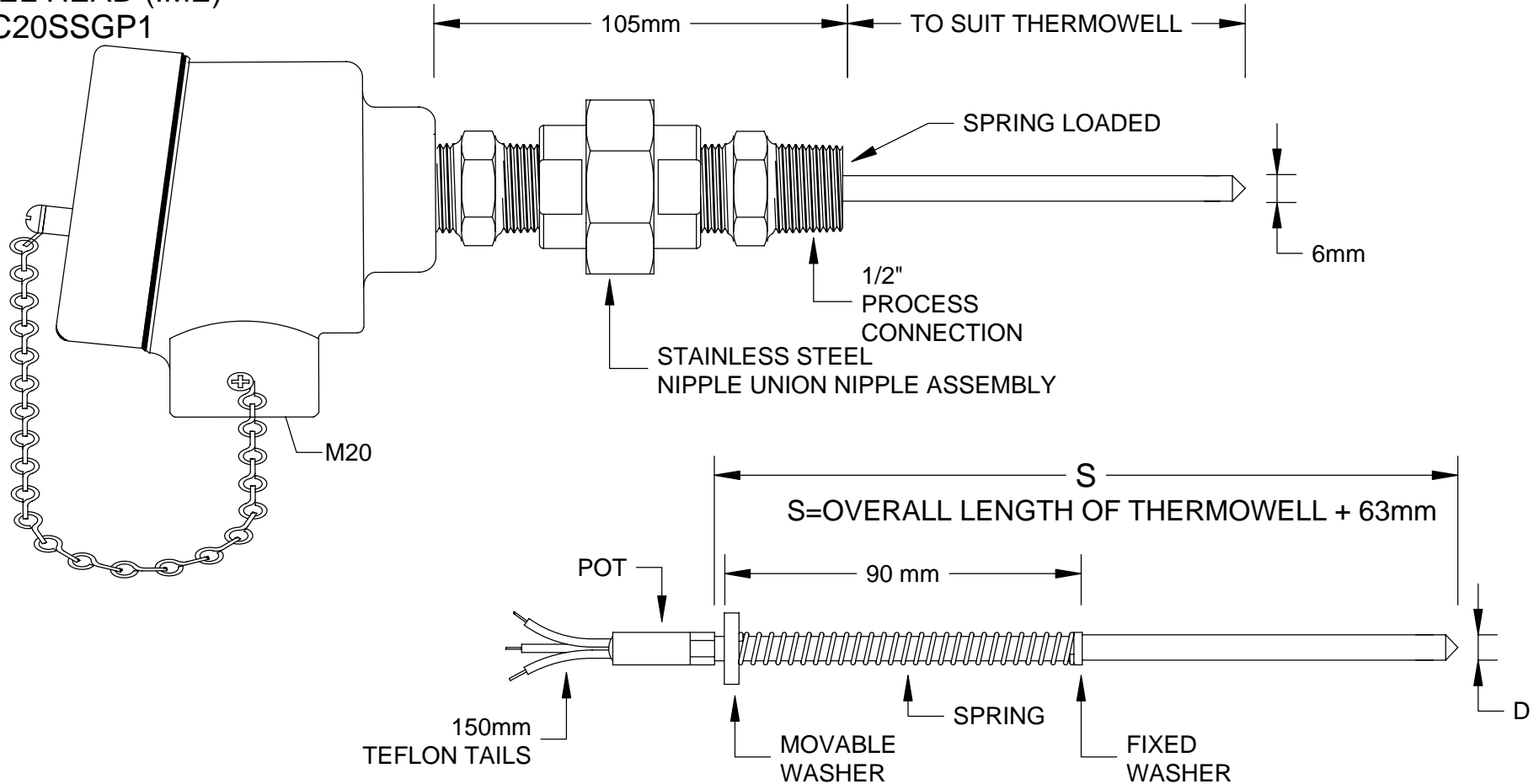


316 S/STEEL HEAD (IME)
Part No. TC20SSGP1



OPTION - Ex ia
Compliance with ANSI AS/NZS 60079. 11.2006 Explosive Atmospheres,
Intrinsic safety Ex ia (1047 RTD & TC)

- TYPE K THERMOCOUPLE
- TYPE J THERMOCOUPLE
- TYPE T THERMOCOUPLE
- TYPE N THERMOCOUPLE
- 3 WIRE RTD PT100
- 4 WIRE RTD PT100

316 S/STEEL HEAD (IME)
Part No. TC20SSGP1
316 S/S NIPPLE / UNION / NIPPLE
SPRING LOADED ASSEMBLY.

TEMPERATURE CONTROLS PTY LTD Certificate No: QEC 14412
ISO 9001

CONDITIONS

THIS DRAWING IS OUR EXCLUSIVE PROPERTY AND MUST NOT BE COPIED OR HANDED TO ANY OTHER PARTIES WITH OUT WRITTEN PERMISSION. IT SHALL BE RETURNED UPON REQUEST

SYDNEY : 7 YAMMA ST SEFTON , NSW 2162
PHONE : (02) 9721 8644 FAX : (02) 9738 9339
MELBOURNE : 8/280 Whitehall St
YARRAVILLE VIC 3013
PHONE : (03) 9687 0000 FAX : (03) 9687 1900
EMAIL : sales@temperature.com.au



TITLE

SIZE : A4	DATE : 17/07/09	DWG NO : SD 017GP
SCALE : NTS	DRAWING BY K.F	REV : 00