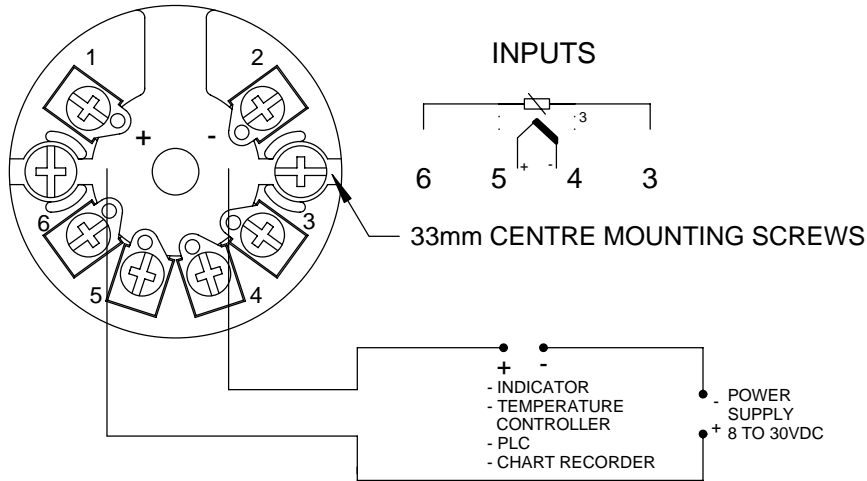


YTA70 INTRINSICALLY SAFE Tx  
HART LOOP POWERED 4-20mA  
SPECIFY TEMPERATURE RANGE



Ex ia  
Compliance with ANSI AS/NZS 60079. 11.2006 Explosive Atmospheres,  
Intrinsic safety Ex ia (1047 RTD & TC)

**IECEX certified Zone 0 Ex ia IIC T6 / T5 / T4**

Transmitter IECEx Certificate No BK1 05.0002  
See attached SD 1837  
Literature - Data sheet SD 1836

- TYPE K THERMOCOUPLE
- TYPE J THERMOCOUPLE
- TYPE T THERMOCOUPLE
- TYPE N THERMOCOUPLE
- 3 WIRE RTD PT100
- 4 WIRE RTD PT100

**4-20 mA TRANSMITTER  
ISOLATED  
RANGE: (AS SPECIFIED)  
LARGE ALUMINIUM  
TERMINAL HEAD IP65  
C\W SS FITTING**

**TEMPERATURE CONTROLS PTY LTD**

QUALITY ENDORSED COMPANY  
Certificate No: QEC 14412  
AS/NZS 9001:2008

**CONDITIONS**

THIS DRAWING IS OUR EXCLUSIVE PROPERTY AND MUST NOT BE COPIED OR HANDED TO ANY OTHER PARTIES WITH OUT WRITTEN PERMISSION. IT SHALL BE RETURNED UPON REQUEST

SYDNEY: 7 YAMMA ST SEFTON , NSW 2162  
PHONE: (02) 9721 8644 FAX : (02) 9738 9339  
MELBOURNE: 8/280 Whitehall St YARRAVILLE, VIC 3013  
PHONE: (03) 9687 0000 FAX : (03) 9687 1900  
BRISBANE: 28A/125 Kerry Road, Archerfield Qld 4108  
PHONE: 0418 222 868  
EMAIL: sales@temperature.com.au

TITLE		
SIZE : A4	DATE : 06/05/14	DWG NO :SD 012 YTA70
SCALE : NTS	DRAWING BY R.B	REV : 00