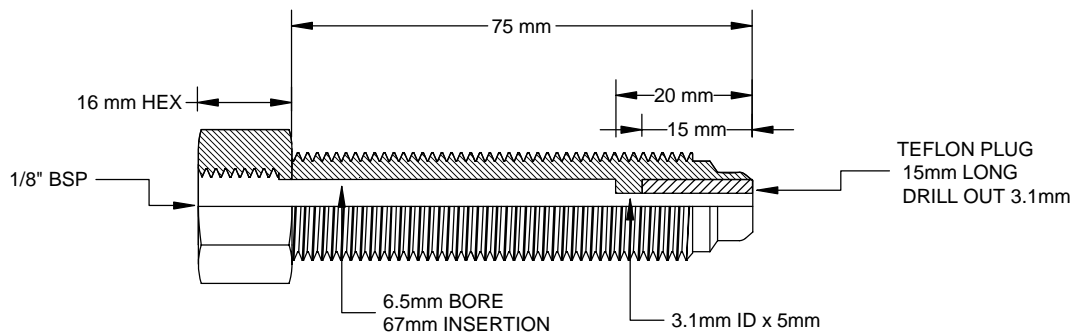


LARGE PLUG
AND TUBE ADAPTOR



TCMH4603

1/2" UNF

- TYPE K
- TYPE J

**ADJUSTABLE BARREL MELT
ASSEMBLY**
MODEL TC09_ _ _ 75

TEMPERATURE CONTROLS PTY LTD

Certificate No: QEC 14412
AS/NZS 9001:2000

CONDITIONS

THIS DRAWING IS OUR EXCLUSIVE PROPERTY AND MUST NOT BE COPIED OR HANDED TO ANY OTHER PARTIES WITH OUT WRITTEN PERMISSION. IT SHALL BE RETURNED UPON REQUEST

SYDNEY : 7 YAMMA ST SEFTON , NSW 2162
PHONE : (02) 9721 8644 FAX : (02) 9738 9339
MELBOURNE : 8/280 Whitehall St
YARRAVILLE VIC 3013
PHONE : (03) 9687 0000 FAX : (03) 9687 1900
EMAIL : sales@temperature.com.au



TITLE

SIZE : A4	DATE : 26/11/12	DWG NO : SD 005
SCALE : NTS	DRAWING BY R.B	REV : 02