

RTD PT100 DIGITAL HAND HELD THERMOMETER

System accuracy to +/- 0.3°C



(Sensor not included)

**YOUR CUSTOMISED SENSOR
CAN BE MADE FOR:**

GASES
LIQUIDS
SEMI-SOLIDS
SURFACE
SOIL

The P400, is ideal for measuring operations in which accuracy counts or the possibility of online documentation is demanded.

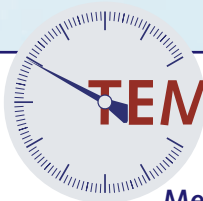
- High measuring accuracy
- Offset calibration function for simple compensation of sensor tolerances
- Storing of 19 measured values on demand
- For taking measurements for quality assurance under ISO 9000
- As a reference instrument for checking production
- For registration of temperature in air conditioning and environmental engineering
- Long-period monitoring of temperature with online documentation
- RS232 interface galvanically isolated
- Optional SmartGraph Windows Software for graphic and tabular documentation
- Recording maximum, minimum and hold values
- Integrated sensor holder for one hand operation
- Auto power shut off (deselectable)

Particularly handy and robust, outstanding value for their high accuracy of $\pm 0,3^{\circ}\text{C}$.

Tactile wipe-clean membrane keys

Inputs:	1-channel, Pt100 4 wire (or 3 wire)
Measuring range:	-99.9°C...+850°C
Accuracy:	$\pm 0,3^{\circ}\text{C}$
Resolution:	0,1°C from -99.9°C...+399.9°C, otherwise 1°C
Memory:	19 spot measurements
Connectors:	DIN 8-pole
Working Temperature:	0°C...+50°C
Display:	1-line LCD
Housing:	plastic (ABS)
Weight:	240 g
Dimensions:	130 x 65 x 25mm (LxWxH)
Power:	2 x 1.5V AA Batteries Approx 200 hours

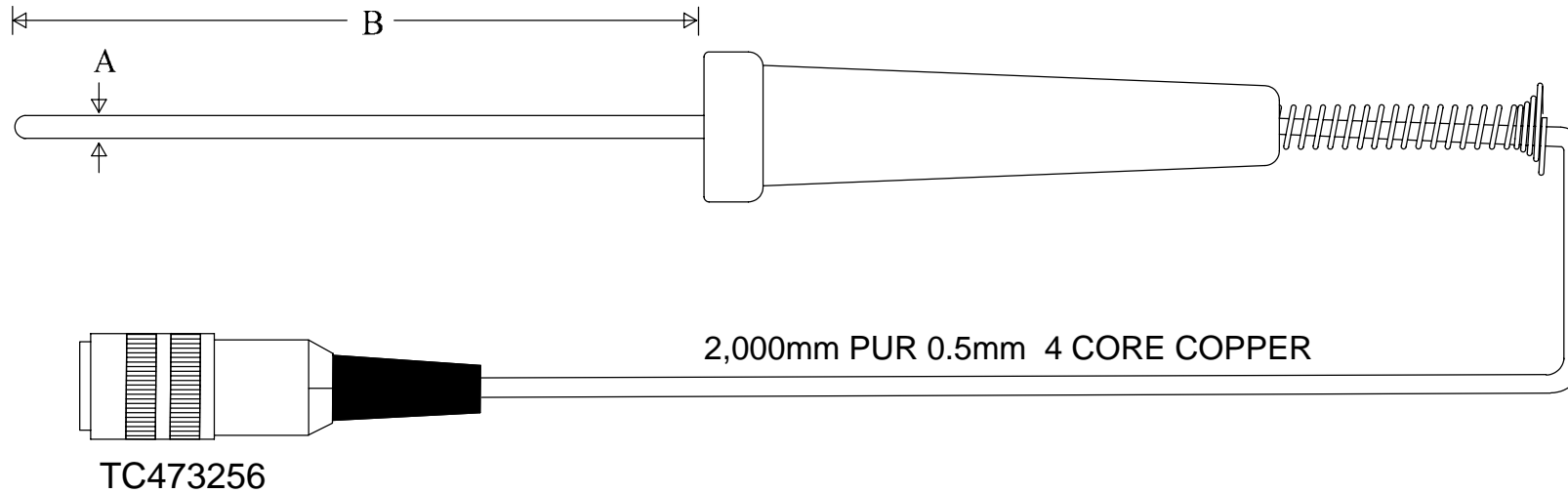
For additional information and pricing.



TEMPERATURE CONTROLS PTY LTD

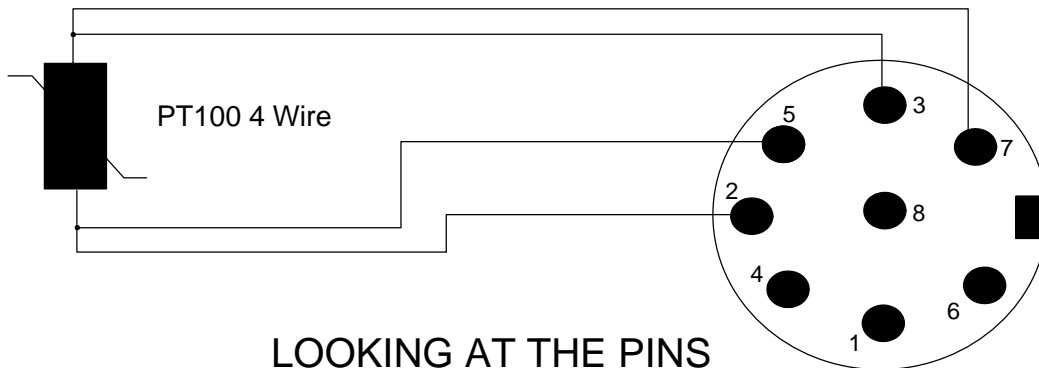
Sydney: 7 Yamma St Sefton NSW 2162 T (02) 9721 8644 F (02) 9738 9339
Melbourne: 8/280 Whitehall St Yarraville VIC 3013 T (03) 9687 0000 F (03) 9687 1900
W www.temperature.com.au E sales@temperature.com.au

Due to ongoing product development, specification and price may change without notice. Prices do not include GST



- CLASS A RTD, ACCURACY 0.06%
- 1/10 DIN, ACCURACY 0.01%

**4 WIRE
RTD PT100 SENSOR
HAND HELD IMMERSION PROBE
TO SUIT DOSTMANN HAND HELD INDICATOR**



LOOKING AT THE PINS

TEMPERATURE CONTROLS PTY LTD		Certificate No: QEC 14412 AS/NZS 9001:2000
CONDITIONS THIS DRAWING IS OUR EXCLUSIVE PROPERTY AND MUST NOT BE COPIED OR HANDED TO ANY OTHER PARTIES WITH OUT WRITTEN PERMISSION. IT SHALL BE RETURNED UPON REQUEST	SYDNEY : 7 YAMMA ST SEFTON , NSW 2162 PHONE : (02) 9721 8644 FAX : (02) 9738 9339 MELBOURNE : 8/280 Whitehall St YARRAVILLE VIC 3013 PHONE : (03) 9687 0000 FAX : (03) 9687 1900 EMAIL : sales@temperature.com.au	
	Quality System Quality Endorsed Company	
TITLE		
SIZE : A4	DATE : 31/07/07	DWG NO : SD 609
SCALE : NTS	DRAWING BY K.F	REV : 00