

Palmer Bimetal Thermometers

HOW TO ORDER

Specify

- QUANTITY
- MODEL NUMBER
- RANGE
- STEM LENGTH

Specify Model 3BC or 5BC for back connected installation. For other installations, including bottom connected, specify Model 3A or 5A.

STANDARD STEM LENGTHS

2½", 4", 6", 9", 12", 18", 24"

Stem Length up to 72" available, over 30" has ¾" support tubing

STANDARD RANGES

Range	°/Div.	Range	°/Div.
Fahrenheit		Centigrade	
-100 to 100	2°	-50 to 50	1°
-40 to 120	2°	-50 to 100	1*
0 to 200	2°	-20 to 120	1°
0 to 250	2°	0* to 50	½*
*25 to 125	1°	0 to 100	1°
50 to 300	2°	0 to 150	1°
50 to 400	5°	0 to 200	2°
50 to 500	5°	0 to 300	5°
*150 to 750	5°	*100 to 400	5°
*1200 to 1000	10°	*100 to 500	5°

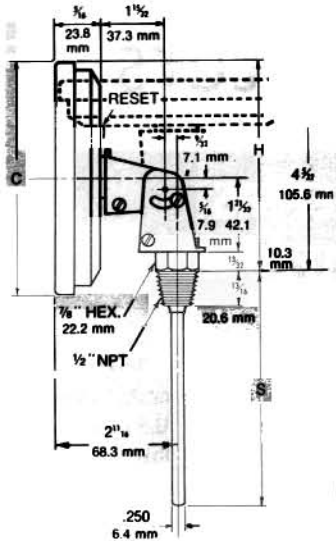
* Minimum Stem Length for these Ranges is 4".

† Recommended for continuous service up to 800°F. or 427°C. Can be used for intermittent service up to 1000°F. or 500°C.



Model 3A: Every Angle 3" Dial

Model 5A: Every Angle 5" Dial



Model Number	Case Diameter "C"	Dimension "H"	Stem Lengths "S"
3A	3 3/8"-85.7mm	3 3/8"-95.3mm	2 1/2"-63.5mm
5A	5 1/8"-130.1mm	4 3/8"-117.5mm	4"-101.6mm
			6"-152.4mm
			9"-228.6mm
			12"-304.8mm
			18"-457.2mm
			24"-609.6mm



Model 3BC: Back Connected, 3" Dial

Model 5BC: Back Connected, 5" Dial

Model Number	Case Diameter	Stem Lengths "S"
3BC	3 3/8"-85.7mm	2 1/2"
5BC	5 1/8"-130.1mm	4"
		6"
		12"
		24"

