

Shinko Temperature Controllers

Shinko offer a full range of high function and high performance controllers for any operation

Model JCS-33A 48 x 48mm controller

- Fully featured - Low Cost
- IP66 Front Panel
- 4 Digit Display
- PID Control Action
- Multi Input K J R S B E T N RTD
- Outputs: Solid State, Relay, 4-20mA
- Alarm output standard



SD 302

Shinko Temperature Controllers

Model DCL-33A Din Rail Mount

- Temperature Controller, Transmitter or Alarm unit
- 4 digit display
- PID control Action
- Multi Input K J R S B E T N RTD
- Outputs: Solid State, Relay, 4-20mA
- Alarm output standard



SD 303

Tempco Solid State Relays

- Solid State Relays with 10, 25 and 40amp output ratings.
- Standard features include LED display when on
- Zero crossing turn on, zero current off.
- 250VAC & 480VAC switching capacity.
- Suitable heat sinks optional.



SD 304

Larger current relays and power control modules available for special application

Temperature Controls is a quality endorsed Company.

WEC Gas Filled Dial Thermometers

Quality all stainless steel thermometers.

Available in surface or panel mounting models.

100mm or 160mm - dial size,

304 stainless steel case and capillary.

Ranges available from - 80°C up to 600°C



Model 23250



Model 23280

SD 305

Palmer Bi-metal Thermometers

Bi-metal thermometers with easy to read dial and accuracy within 1% of full scale.

Palmer bi-metal thermometers are available in 2 models, back connected (BC) and the every angle (A).

3" or 5" dials with glass, safety glass or perspex lenses.

Stem lengths 2 1/2" to 24"

Ranges from - 50°C to 500°C



Model 5A

Model 3BC

SD 306

Inor Transmitters

Inor introduced the first head mounted transmitter in 1974 and continue to be leaders in product development.

Model APAQ - Low Cost

Multi range 2 wire temperature transmitter for PT100 RTD and Thermocouple inputs.

No galvanic isolation

Rangeable with solder pads

Intrinsically safe versions available

Model IPAQ

Universal, PC programmable 2 wire transmitters

For RTD, Thermocouples and Ohm inputs

1500V AC galvanic isolation

High accuracy and stability

Intrinsically safe versions available

Din Rail transmitters and isolators available



SD 307

Certificate No QEC 14412. AS/NZS ISO 9001:2000

Temperature Controls Pty Ltd

SYDNEY: Ph: 61 2 9721 8644 Fax: 61 2 9738 9339, 7 Yamma Street Sefton NSW 2162
MELBOURNE: Ph: 61 3 9384 0444 Fax: 61 3 9384 0204, 412 Moreland Road Brunswick West VIC 3055
email: sales@temperature.com.au



THERMOCOUPLE EXTENSION COMPENSATING CABLE COLOUR CODE CHART

CODE	AMERICA TO ANSI/MC 96.1	INTERNATIONAL IEC 584-3	JAPAN TO JIS C 1610-1981	BRITAIN TO BS 1843	CONDUCTOR	
					+LEG	-LEG
K					NICKEL-CHROMIUM Also known as: * "Chromel," * Thermokantha KP, Ni-Cr, * T1, * Tophel	NICKEL-ALUMINIUM (Magnetic) Also known as: * "Ni-Al," * "Alumel," * Thermokantha KN, * T2, Nial
T					COPPER	COPPER-NICKEL Also known as: Nickel, "Cupron," Advance, Constantan
J					IRON (Magnetic) Also known as: "FE"	COPPER-NICKEL Also known as: Nickle, Constantan * Advance, * Cupron.
E					NICKEL-CHROMIUM Also known as: "Chromel," "Tophel," Chromium, Nickel	COPPER-NICKEL Also known as: Nickel, Copper Constantan, * Advance, * Cupron.
N					NICKEL-CHROMIUM SILICONE Also known as Nicrosil	NICKEL-CHROMIUM MAGNESIUM Also known as: "Nisil".
R					PLATINUM-13% RHODIUM	PLATINUM
S					PLATINUM-10% RHODIUM	PLATINUM
B					PLATINUM-30% RHODIUM	PLATINUM 6% RHODIUM

Thermocouple cable stocked in all of the above calibrations with PVC, Fibreglass, Teflon and Stainless Steel Braided insulations. Unscreened & screened conductors. Multipair and Served Wire Armoured (SWA) cables available.

Hand Held Instruments

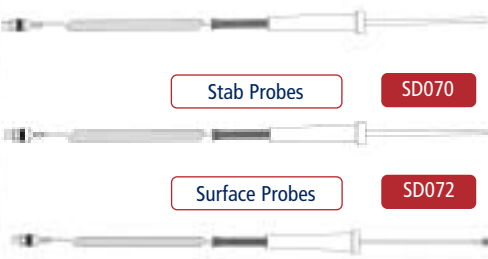
TC 305 K Digital Indicator



SD309

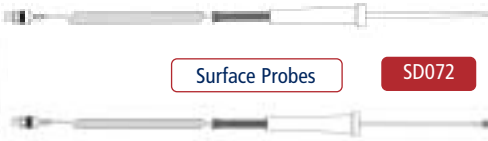
Immersion Probes

SD069



Stab Probes

SD070



Surface Probes

SD072



Ex stock range available and made to order to suit all instruments that accept industry standard mini plugs (flat pins).

All calibrations in Thermocouples and RTD PT 100 Ω sensors available.

Infra Red Digital Thermometers

Non contact measurement

Laser sight and back lit display

Suitable for food safety, electrical panels and bearings



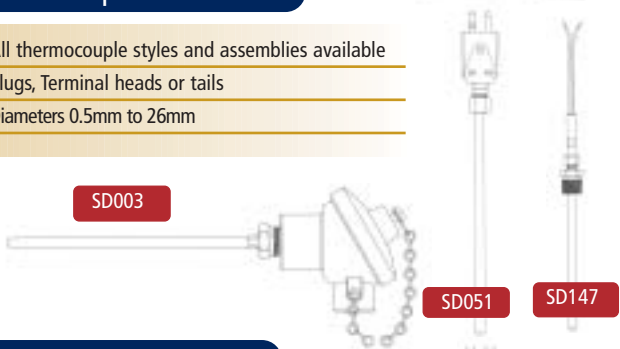
SD308

Thermocouples

All thermocouple styles and assemblies available

Plugs, Terminal heads or tails

Diameters 0.5mm to 26mm



SD003

SD051

SD147

Plastic Industry

YM3 / YM4. Thermocouples to suit moulding extruders.

SD057

SD116

SD006

SD013

RTD Sensors

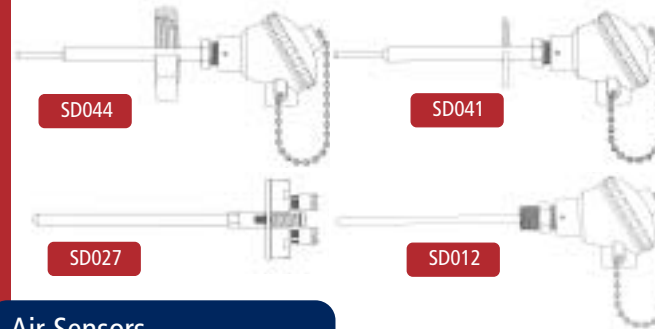
RTD PT 100 Ω sensors

3 or 4 wire, Single or Duplex

Construction in Class B, A or $1/10$ th Din Tolerance

Diameters from 1.5mm to 8.0mm

Operating temperatures from -190°C to 600°C .



SD044

SD041

SD027

SD012

Air Sensors

External or internal applications, available with 4.20mA output.



SD078

SD126

Food Industry Stab Probes

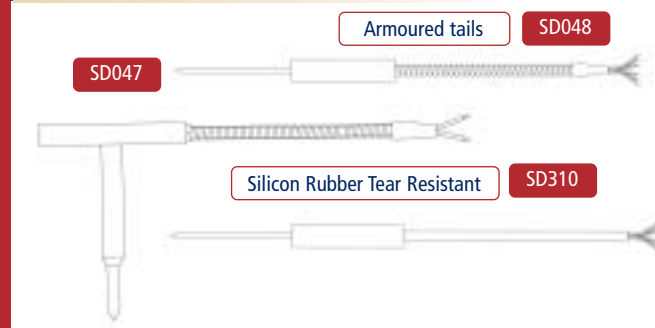
Hand held probes in Thermocouples and RTDs (class A)

Rugged construction

Easy to clean

Reliable

Accurate temperature sensing to meet food standards



Armoured tails

SD048

SD047

Silicon Rubber Tear Resistant

SD310

Project Sensors

Thermocouple and RTDs Sensors for chemical, mining and processing plants

Ex'd or Ex ia approved sensors made to order

Spring loaded sensors for quicker response



SD017

SD012

SD020

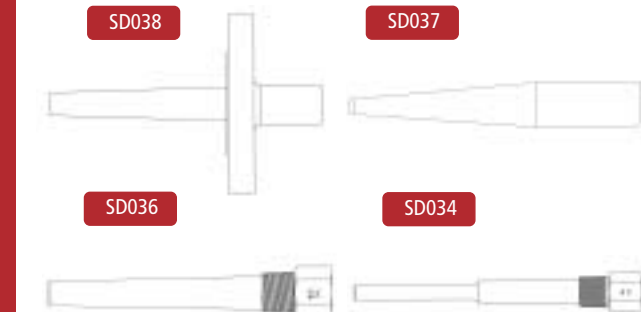
SD067

SD289

Thermowells

Bar Stock, Fabricated, Screw in or flange mounted Thermowells for all applications.

Stainless Steel and Materials for corrosive mediums ie, Titanium, Hastelloy and Monel.



SD038

SD037

SD036

SD034

All assemblies in this brochure are identified by an SD (Sales Drawing) number. The drawings are available in PDF format upon request by E-mail. A4 size.

AUSTRALIAN MADE