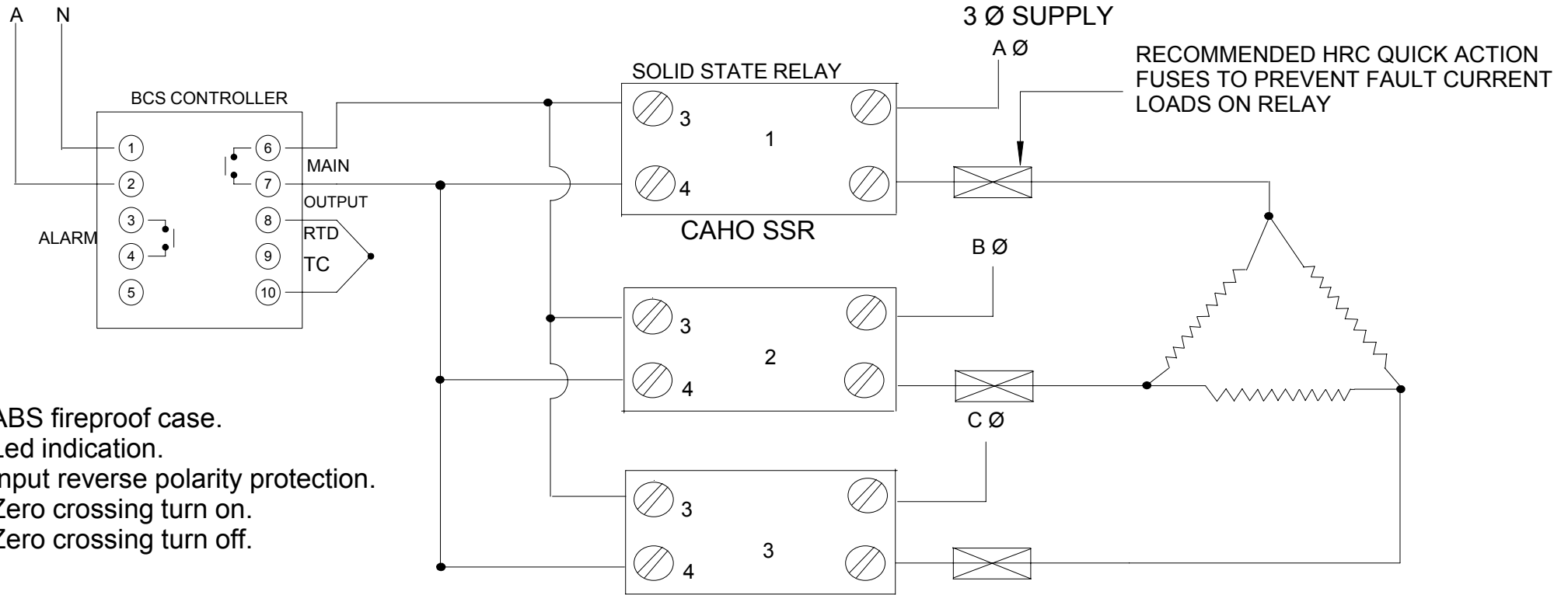


AC SUPPLY
85- 240 V

SHINKO BCS CONTROLLER THREE PHASE CONTROL - DELTA



ABS fireproof case.
Led indication.
Input reverse polarity protection.
Zero crossing turn on.
Zero crossing turn off.

DC INPUT CONTROL - CAHO SSR

Model number	Input	Output
TCSSRD4825	DC 3 - 32 V	AC 250 V - 480 V 25 AMP
TCSSRD4840	DC 3 - 32 V	AC 250 V - 480 V 40 AMP

To operate at above current ratings a heat sink is required
(a de-rating of 50% is necessary if no heat shrink used).

Model number	Rating	Size
TC HS2	25 amp	125 x 60 x 120mm
TC HS3	40 amp	125 x 60 x 150mm

Wire termination on load side
of SSR relay must be made
with ring or fork cable lugs to
prevent high resistance joints.



TEMPERATURE CONTROLS PTY LTD

QUALITY ENDORSED COMPANY
Certificate No: QEC 14412
AS/NZS 9001:2008

CONDITIONS

THIS DRAWING IS OUR
EXCLUSIVE PROPERTY
AND MUST NOT BE
COPIED OR HANDED
TO ANY OTHER PARTIES
WITH OUT WRITTEN
PERMISSION. IT SHALL
BE RETURNED UPON
REQUEST

SYDNEY: 7 YAMMA ST SEFTON NSW 2162
PHONE: (02) 9721 8644 FAX: (02) 9738 9339
MELBOURNE: 8/280 WHITEHALL ST YARRAVILLE VIC 3013
PHONE: (03) 9687 0000 FAX: (03) 9687 1900
BRISBANE: 36/121-125 KERRY RD ARCHERFIELD QLD 4108
PHONE: (07) 3373 8424 FAX: (07) 3373 8067
EMAIL: sales@temperature.com.au

TITLE
3 PHASE DELTA

SIZE : A4	DATE : 27/04/17	DWG NO : SD 536
SCALE : NTS	DRAWING BY NP	REV : 02