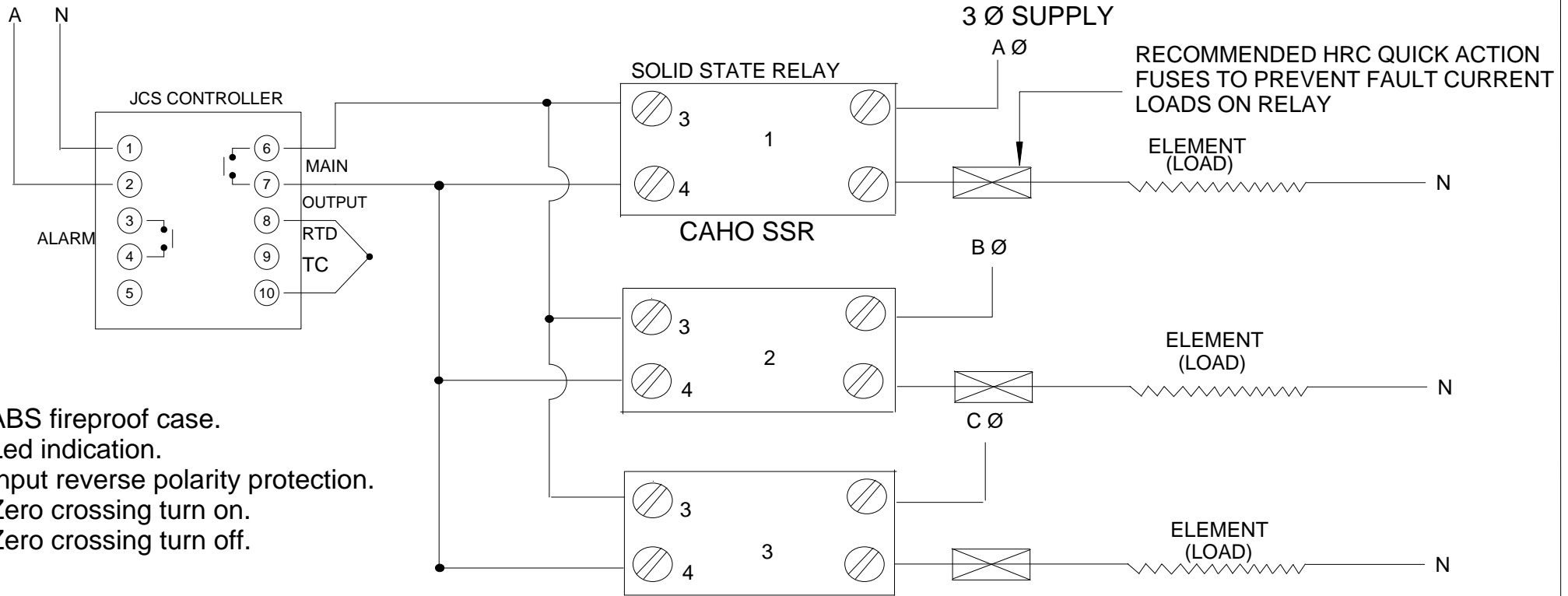


AC SUPPLY
85- 240 V

SHINKO JCS CONTROLLER THREE PHASE CONTROL



ABS fireproof case.
Led indication.
Input reverse polarity protection.
Zero crossing turn on.
Zero crossing turn off.

DC INPUT CONTROL - CAHO SSR

Model number	Input	Output
TCSSRD4825	DC 3 - 32 V	AC 250 V - 480 V 25 AMP
TCSSRD4840	DC 3 - 32 V	AC 250 V - 480 V 40 AMP

To operate at above current ratings a heat sink is required (a de-rating of 50% is necessary if no heat shrink used).

Model number	Rating	Size
TC HS2	25 amp	125 x 60 x 120mm
TC HS3	40 amp	125 x 60 x 150mm

Wire termination on load side of SSR relay must be made with ring or fork cable lugs to prevent high resistance joints.



TEMPERATURE CONTROLS PTY LTD

Certificate No: QEC 14412
AS/NZS 9001:2000

CONDITIONS

THIS DRAWING IS OUR EXCLUSIVE PROPERTY AND MUST NOT BE COPIED OR HANDED TO ANY OTHER PARTIES WITH OUT WRITTEN PERMISSION. IT SHALL BE RETURNED UPON REQUEST

SYDNEY : 7 YAMMA ST SEFTON , NSW 2162
PHONE : (02) 9721 8644 FAX : (02) 9738 9339
MELBOURNE : 8/280 Whitehall St
Yarraville VIC 3013
PHONE : (03) 9687 0000 FAX : (03) 9687 1900
EMAIL : sales@temperature.com.au



TITLE

3 PHASE 3 x ELEMENTS

SIZE : A4	DATE :03/03/10	DWG NO :SD 535
SCALE : NTS	DRAWING BY R.B	REV : 01