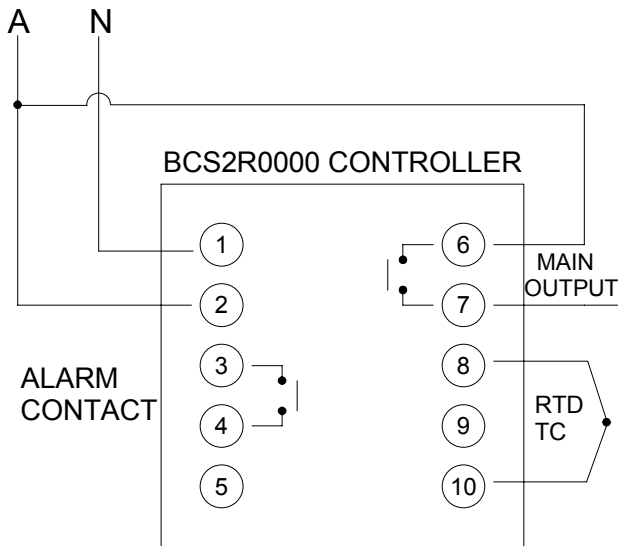


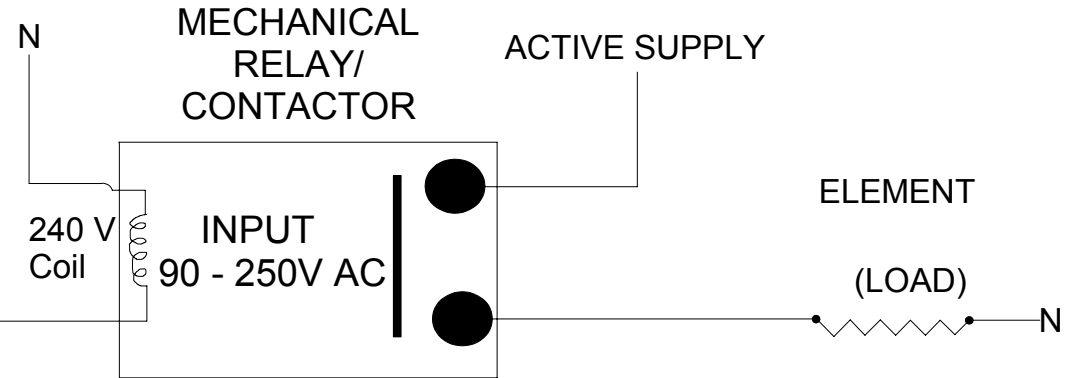
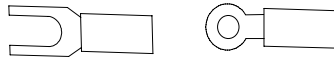
SHINKO BCS CONTROLLER SINGLE PHASE CONTROL AC CONTROL CONTACTOR RELAY

AC SUPPLY
85 - 240 V



ABS fireproof case.
Led indication.
Input reverse polarity protection.
Zero crossing turn on.
Zero crossing turn off.

Wire termination on load side
of SSR relay must be made
with ring or fork cable lugs to
prevent high resistance joints.



To operate at above current ratings a heat sink is required
(a de-rating of 50% is necessary if no heat shrink used).

Model number	Rating	Size
TC HS1	10 amp	125 x 60 x 80mm
TC HS2	25 amp	125 x 60 x 120mm
TC HS3	40 amp	125 x 60 x 150mm

AC INPUT CONTROL - CAHO SSR

Model number	Input	Output
TCSSRA2510	AC 90 - 250 V	AC 250V 10AMP
TCSSRA2525	AC 90 - 250 V	AC 250V 25AMP
TCSSRA2540	AC 90 - 250 V	AC 250V 40AMP
TCSSRA4825	AC 90 - 480 V	AC 250 - 480 V 25 AMP
TCSSRA4840	AC 90 - 480 V	AC 250 - 480 V 40 AMP

TEMPERATURE CONTROLS PTY LTD

QUALITY ENDORSED COMPANY
Certificate No: QEC 14412
AS/NZS 9001:2008

CONDITIONS

THIS DRAWING IS OUR
EXCLUSIVE PROPERTY
AND MUST NOT BE
COPIED OR HANDED
TO ANY OTHER PARTIES
WITH OUT WRITTEN
PERMISSION. IT SHALL
BE RETURNED UPON
REQUEST

SYDNEY: 7 YAMMA ST SEFTON NSW 2162
PHONE: (02) 9721 8644 FAX: (02) 9738 9339
MELBOURNE: 8/280 WHITEHALL ST YARRAVILLE VIC 3013
PHONE: (03) 9687 0000 FAX: (03) 9687 1900
BRISBANE: 36/121-125 KERRY RD ARCHERFIELD QLD 4108
PHONE: (07) 3373 8424 FAX: (07) 3373 8067
EMAIL: sales@temperature.com.au

TITLE

SINGLE PHASE CONTROL

SIZE : A4

DATE : 27/04/17

DWG NO : SD 534

SCALE : NTS

DRAWING BY NP

REV : 07